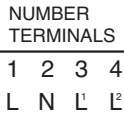
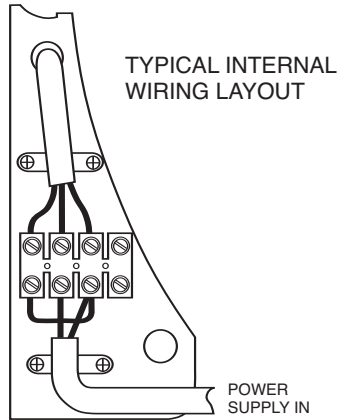
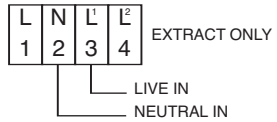


# WIRING DIAGRAM

## MODELS

XFS230/300 XPS230/300  
 XFS230P/300P XPS230P/300P  
 XFS230MP/300MP XPS230MP/300MP



## MODELS

XFS230A/300A XPS230A/300A

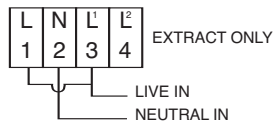


FIG 1 DIMENSIONS XFS230/300 RANGE

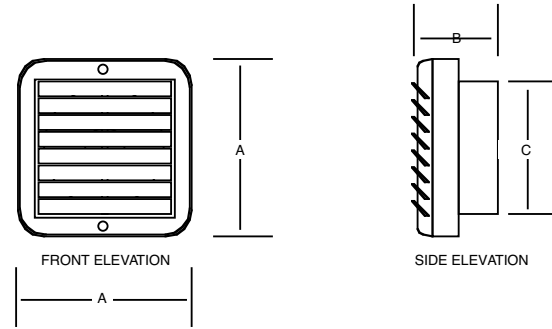
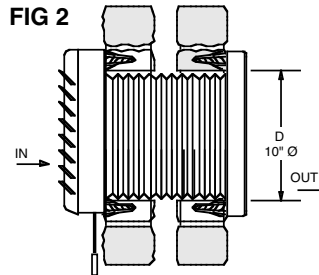
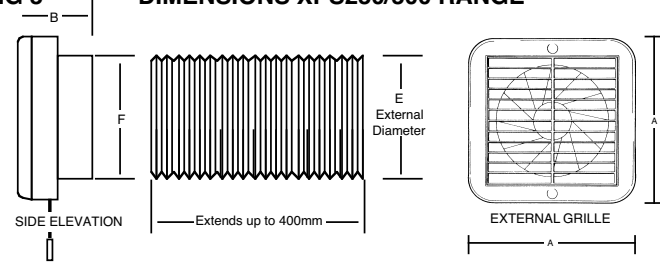


FIG 2



KEY TO DIMENSIONS FOR XFS230/300 AND XPS230/300 RANGE						
	A	B	C	D	E	F
XF/XP 230	286 mm	112 mm	230 mm	255 mm	240 mm	230 mm
XF/XP 300	365 mm	150 mm	285 mm	310 mm	300 mm	285 mm

FIG 3 DIMENSIONS XPS230/300 RANGE



**IMPORTANT**

All wiring must comply with current I.E.E. Regulations.

A plug socket or double pole fused spur having a contact separation of at least 3mm in all poles must be used and fitted with a 3 amp fuse, and should be sited outside any room containing a shower or fixed bath. The fan should not be accessible to a person using either the shower or bath.

These fans are double insulated and do not require an earth. All wiring must comply with current IEE regulations. A double pole isolating switch, having a contact separation of at least 3mm on all poles, must be used with a 3 amp fuse fitted. The fan must not be accessible to a person using either a bath or a shower and mounted a minimum of 2.2m from the floor.

**RATING/SPECIFICATIONS**

For all electrical power and IP ratings refer to the fan rating and wiring label.

All fans are double insulated, manufactured to comply with EN60335-2-80:1997 and are CE marked

**IMPORTANT**

**Switch off mains supply before making any electrical connections. If in any doubt contact a qualified electrician.**

**The appliance is not intended for use by young children or infirm persons without supervision.**

**Young children should be supervised to ensure that they do not play with the appliance.**

**Precautions must be taken to avoid the back-flow of gases into the room from the open flue of gas or other open-fire appliances when mounted in outside windows or walls.**

Manrose Manufacturing Ltd reserve the right to change specification without prior warning



**MANROSE**

MANUFACTURING LIMITED

1 Albion Close, Slough, Berkshire SL2 5DT United Kingdom  
Telephone (01753) 691399 Facsimile: (01753) 692294

MANUFACTURERS OF DOMESTIC VENTILATION FANS AND EQUIPMENT

## INSTALLATION INSTRUCTIONS FOR THE XFS230/300 and XPS230/300 RANGE OF FANS.

- NOTE:(i) For best results this Extractor Fan should be fitted as high on the wall as possible, (min 2.2m) or if preferred, on the ceiling. (Not Pullcord Model)
- (ii) Do not install the unit within a shower cubicle or anywhere else where there is a high risk of the fan being sprayed with water.
- (iii) Switch off mains supply before making electrical connections. If in any doubt contact a qualified electrician.
- (iv) This fan is double insulated and does not require an earth.
- (v) When installing fan through an external wall, an external wall grille must be fitted at all times.
1. Cut a hole in the wall to suit the fan and duct. If the fan is to be fixed in the ceiling ensure that the hole is between the joists.
  2. Fit suitable ducting flush to the plaster.
  3. Remove the cover from the fan by removing the two small screw caps on the front cover and remove the two retaining Philips screws.
  4. Hold the body of the fan against the wall or ceiling and mark the four screw holes and the cable entry.  
**IMPORTANT:** Ensure that the fan is square on wall or ceiling.
  5. Bring power cable into position, as marked. Allow an extra 350mm protruding to facilitate connection. Fan should only be installed by fixed wiring, a flexible cord should not be used.