

INSTALLATION INSTRUCTIONS

230 / 300mm
Window Fans

Switch off mains supply before making any electrical connections.

Installation must be supervised by a qualified electrician.

This appliance can be used by children aged from 8 years and above and persons with reduced physical, sensory and mental capabilities or lack of experience and knowledge if they have been given supervision or instruction concerning the use of the appliance in a safe way and understand the hazards involved.

Children shall not play with the appliance.

Cleaning and user maintenance shall not be made by children without supervision.

Precautions must be taken to avoid the back-flow of gases into the room from the open flue of gas or other open-fire appliances when mounted in outside windows or walls.

Fan must be disconnected from electrical power before any maintenance is carried out.

Location

1. When installing fan through an external wall, an external wall grille must be fitted at all times.
2. For best results this Extractor Fan should be fitted as high on the wall as possible, or if preferred, on the ceiling. Note: Pullcord models should not be installed in a ceiling.
3. Do not install the unit within a shower cubicle or anywhere else where there is a risk of being sprayed with water (Please see our range of showerfans for these installations.).
4. If the fan is installed in a room containing a fuel burning appliance, the installer must ensure that the air replacement is adequate for both the fan and the fuel burning appliance.

Wiring

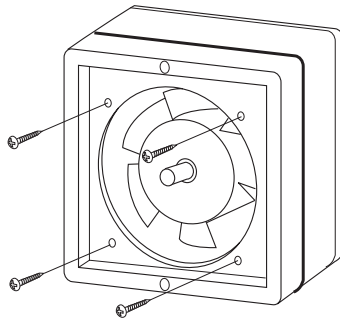
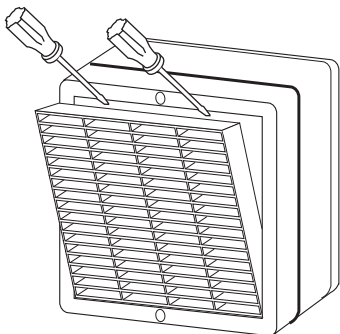
1. Switch off mains supply before making electrical connections. If in any doubt contact a qualified electrician.
2. These units are for fixed wiring only. A flexible cord must not be used. All wiring must be fixed securely and the cable to the fan should be a minimum of 1mm² in section. All wiring must comply with current I.E.E. Regulations or local regulations if outside the UK.
3. A double pole fused spur having contact separation of at least 3mm in all pole must be used and fitted with a 3A fuse.
4. This fan is double insulated and does not require an earth connection.
5. The fan should not be accessible to a person using either the shower or the bath.

THROUGH A WINDOW (ALL MODELS)

1. Cut a hole in the glass to suit fan.

Fan Size	Hole ϕ	Hole ϕ
230	260mm	10 ^{1/4"}
300	320mm	12 ^{9/16"}

2. This is best cut by a qualified glazier, alternatively, measure your window and get a new piece of glass with a pre-cut hole from your glass merchant and replace.
3. Remove external grille by gently levering the top out with a small screwdriver and remove the four pozidrive screws and separate the two halves, see below:



4. Hold the fan in position over the hole on the inside of the window and then refit the four pozidrive screws from the Outside. **Caution** – do not over tighten these screws as it is possible that you might crack the glass, replace the external grille.

5. Electrical: All wiring must comply with current IEE Regulations. If in any doubt call a qualified electrician.

NOTE:All wiring must be fixed securely and the cable to the fan should be a minimum of 1mm² in section.

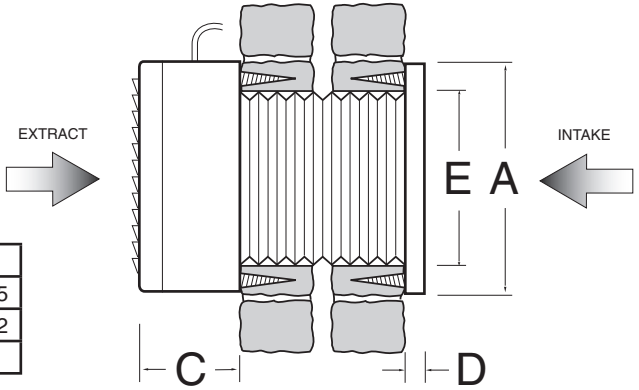
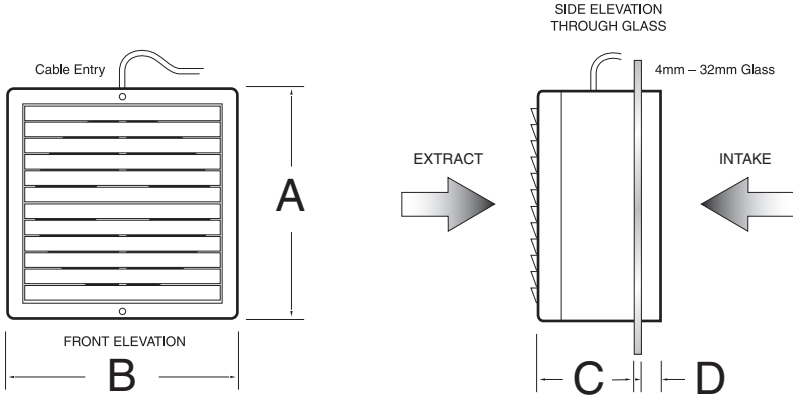
6. Connect the cable from the fan to a double pole fused spur having a contact separation of at least 3mm in all poles, must be used and fitted with a 3 amp fuse, and should be sited outside any room containing a shower or fixed bath. The fan should not be accessible to a person using either the shower or the bath.

THROUGH WALL FIXING (ALL MODELS)

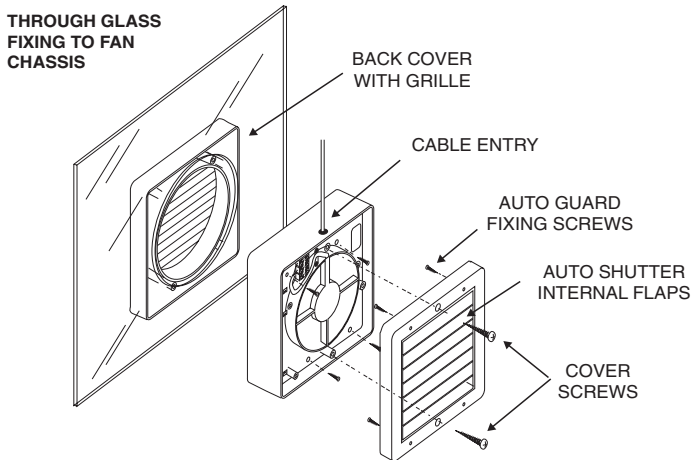
1. Cut a hole through the wall (see table on next page for sizing) and then fit the aluminium flexible duct through the wall (wall fixing kit available separately) making sure that there is a slight tilt to the outside in case any water gets in through the external grille so it will not run into the room. Make good around the duct.
2. Remove the rear grille and casing as described in Paragraph 3 Above. Separate the external grille and remove the two hole plugs at the top and bottom of the grille chassis. Hold against the outside wall directly over the duct and drill and plug the fixing holes. Screw the grille chassis to the wall and refit the grille. It is important to make sure that the two fixing holes are one above the other to allow the lugs on the grille to fit properly into their slots the right way up.
3. Remove the front grille by removing 2-hole plugs concealing 2-fixing screws which secure the front grille assembly to the main chassis. Remove these screws then carefully separate the two halves.
4. Hold the body over the hole, first ensuring that the fan is level then mark four of the six fixing holes available (one in each corner). Drill and plug these holes. Screw the fan to the wall and refit the front grille and replace screw caps.

5. Make the electrical connection as described on next page. If in any doubt call a qualified electrician.
6. Ratings as marked on fan label. T. Max 40°C

NOTE: Do not install within a shower cubicle (Use our SF100, SF120, SF150 range of shower fans) or anywhere else where there is a high risk of the fan being sprayed with water.



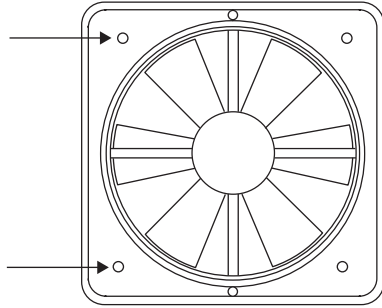
	A	B	C	D	E
WF230	286	286	112	25	255
WF300	362	362	133	29	362
All dimensions in millimetres					



WF300 Models:

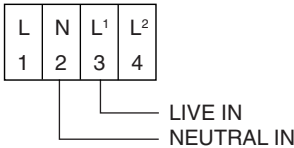
Interior side of fan:

Gently pry out the two hole plugs in the cover, undo the cover screws and remove the cover. Remove the two screws holding the inner cover. The terminal block is on the reverse side of the internal bracket.

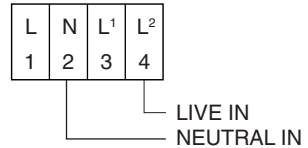


230 / 300 STANDARD AND PULLCORD MODELS

EXTRACT ONLY



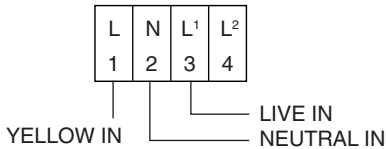
INPUT ONLY



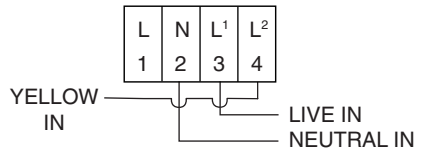
230 / 300 MP MODELS

THE FAN IS SUPPLIED WIRED FOR EXTRACT
FOR INTAKE MOVE THE YELLOW WIRE TO TERMINAL 4 - L²

230MP/300MP MODELS EXTRACT ONLY



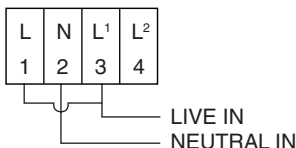
230MP/300MP MODELS INPUT ONLY



230 / 300 AUTO MODELS

THE FAN IS SUPPLIED WIRED FOR EXTRACT
FOR INTAKE LINK - TERMINAL 1 L TO TERMINAL 4 - L²

230A/300A MODELS EXTRACT ONLY



230A/300A MODELS INPUT ONLY

