

INSTALLATION INSTRUCTIONS

Installation Instructions for the COMT and COMTK Range of Wall Fans

Switch off mains supply before making any electrical connections.

Installation must be supervised by a qualified electrician.

This appliance can be used by children aged from 8 years and above and persons with reduced physical, sensory and mental capabilities or lack of experience and knowledge if they have been given supervision or instruction concerning the use of the appliance in a safe way and understand the hazards involved.

Children shall not play with the appliance.

Cleaning and user maintenance shall not be made by children without supervision.

Precautions must be taken to avoid the back-flow of gases into the room from the open flue of gas or other open-fire appliances when mounted in outside windows or walls.

Fan must be disconnected from electrical power before any maintenance is carried out.

Location

1. When installing fan through an external wall, an external wall grille must be fitted at all times.
2. For best results this Extractor Fan should be fitted as high on the wall as possible, or if preferred, on the ceiling. Note: Pullcord models should not be installed in a ceiling.
3. Do not install the unit within a shower cubicle or anywhere else where there is a risk of being sprayed with water (Please see our range of showerfans for these installations.).
4. If the fan is installed in a room containing a fuel burning appliance, the installer must ensure that the air replacement is adequate for both the fan and the fuel burning appliance.

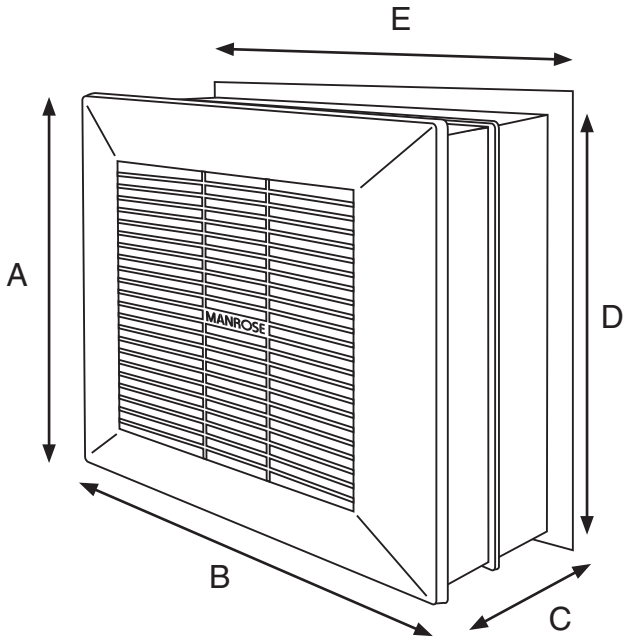
Wiring

1. Switch off mains supply before making electrical connections. If in any doubt contact a qualified electrician.
2. These units are for fixed wiring only. A flexible cord must not be used. All wiring must be fixed securely and the cable to the fan should be a minimum of 1mm² in section. All wiring must comply with current I.E.E. Regulations or local regulations if outside the UK.
3. A double pole fused spur having contact separation of at least 3mm in all pole must be used and fitted with a 3A fuse.
4. This fan is double insulated and does not require an earth connection.
5. The fan should not be accessible to a person using either the shower or the bath.

COMTK Series

1. Cut a hole through the wall to suit fan type. See diagram below and dimensions D&E

Diagram 1



PRODUCT	A	B	C	D	E
COMTK150	310mm	310mm	160-290mm	258mm	288mm
COMTK230	390mm	390mm	160-290mm	359mm	366mm
COMTK300	470mm	470mm	160-290mm	404mm	447mm

2. Fit the telescopic sleeve into the wall. The sleeve is adjustable and suitable for cavity or solid walls. (A longer extension sleeve is available to order) Make sure there is a slight tilt to the outside to allow any water which may get in through the outside grille, drain to the outside.

IMPORTANT Ensure a minimum 300mm of power cable is passed through the cable entry for the electrical connections.

3. Build in the sleeve and make good around the edges. The external and internal grilles have a flange that over hangs the sleeve.

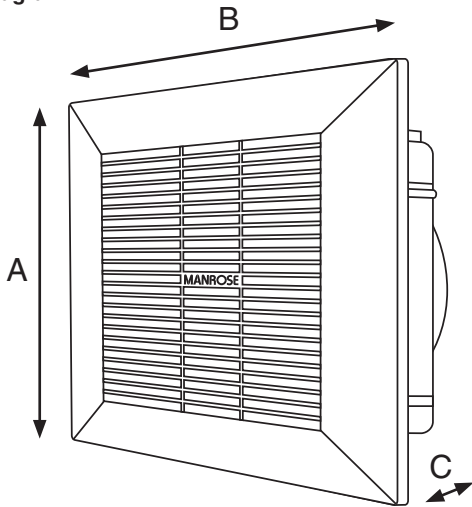
COMT Series

4. Is supplied without the sleeve and external grille. The series is designed as a replacement for existing installations and fits most makes of sleeve and wall box with little or no modifications to the existing wall box installations. See Diagram 2 for dimensions.
5. All models of the series are secured internally by 4 mounting screws, and secured externally by 4 mounting Screws. After fixing the front and rear sections ensure you insert the hole plugs provided.

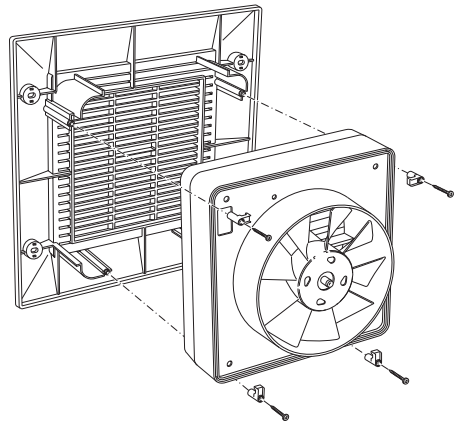
IMPORTANT: Always ensure that the supply cable cannot obstruct the fan blade.

COMT Series Dimensions

Diagram 2



Fan is attached to outer grille by four screws and locking tabs

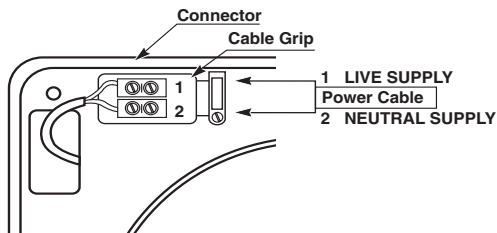


PRODUCT	A	B	C
COMT150	310mm	310mm	110mm
COMT230	390mm	390mm	138mm
COMT300	470mm	470mm	154mm

6. Electrical Connections (COMTK/COMT Series)

COMTK150 & COMT150

This model can only be wired for extract. Connect the power into the terminal located on the rear of the fan.



Fit cover with screw when electrical connections are completed

COMTK230/300 and COMT230/300

The electrical connection using fixed wiring built into the wall is made via a 5 pin plug in connector (complete with cable grip) which is supplied with each fan unit for ease of electrical installation when connected to the incoming power cable it simply plugs into the rear of the fan unit.

NOTE (Diagram A) The COMTK 230/300 series can be wired via 3 core cable for EXTRACT only.

NOTE (Diagram B) The COMTK 230/300 series can be wired via 3 core cable for INTAKE only.

NOTE (Diagram C) If the 2 speed reversible controller is used with the COMTK 230/300 series, 5 core cable is required (which is available separately).

These fans are double insulated and do not require an earth. All wiring must comply with current IEE regulations. A double pole isolating switch, having a contact separation of at least 3mm in all poles, must be used with a 3amp fuse fitted. The fan must not be accessible to a person using either a bath or a shower and mounted a minimum of 1.8m from the floor.

Plug Wiring Diagram

Diagram A

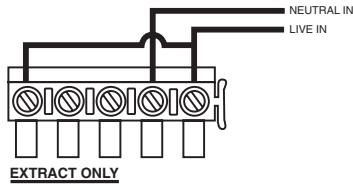


Diagram B

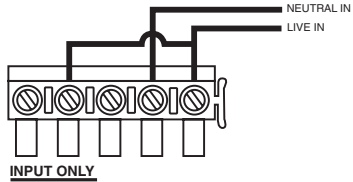
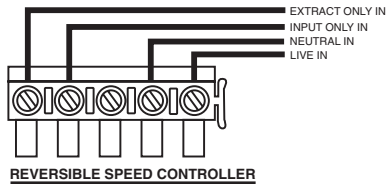


Diagram C



WIRING DIAGRAM

DIAGRAM A - EXTRACT ONLY

To change the airflow direction remove link from terminal 1 in the plug and connect into terminal 2.

DIAGRAM B INTAKE ONLY

All models are pre wired in factory to extract only. When the cable supplied with the socket for test purposes is connected to a fused spur or plug socket.

DIAGRAM C - REVERSIBLE SPEED CONTROLLER

For the COMTK 230/300 models using the reversible variable speed controller part no. COMTSCVR.

7. Electrical
220-240V AC.50HZ IP44 T. Max 40 deg C

COMT/COMTK 150 - 25W

COMT/COMTK 230 - 48W

COMT/COMTK 300 - 60W

THIS FAN SERIES IS DOUBLE INSULATED AND DOES NOT REQUIRE AN EARTH. THE EARTH TERMINAL IS PROVIDED FOR SPECIAL INSTALLATIONS ONLY.

NOTE:

Do not install within a shower cubicle (Use our SF100, SF120, SF150 range of shower fans) or anywhere else where there is a high risk of the fan being sprayed with water.

Fan to be fitted a minimum 2.3 metres from the floor.