

INSTALLATION INSTRUCTIONS

M200P/ M200S/ M200T/ M200H/ M200HP
CENTRIFUGAL EXTRACTOR FANS

Switch off mains supply before making any electrical connections.

Installation must be supervised by a qualified electrician.

This appliance can be used by children aged from 8 years and above and persons with reduced physical, sensory and mental capabilities or lack of experience and knowledge if they have been given supervision or instruction concerning the use of the appliance in a safe way and understand the hazards involved.

Children shall not play with the appliance.

Cleaning and user maintenance shall not be made by children without supervision.

Precautions must be taken to avoid the back-flow of gases into the room from the open flue of gas or other open-fire appliances when mounted in outside windows or walls.

Fan must be disconnected from electrical power before any maintenance is carried out.

Location

1. When installing fan through an external wall, an external wall grille must be fitted at all times.
2. For best results this Extractor Fan should be fitted as high on the wall as possible, or if preferred, on the ceiling. Note: Pullcord models should not be installed in a ceiling.
3. Do not install the unit within a shower cubicle or anywhere else where there is a risk of being sprayed with water (Please see our range of showerfans for these installations.).
4. If the fan is installed in a room containing a fuel burning appliance, the installer must ensure that the air replacement is adequate for both the fan and the fuel burning appliance.

Wiring

1. Switch off mains supply before making electrical connections. If in any doubt contact a qualified electrician.
2. These units are for fixed wiring only. A flexible cord must not be used. All wiring must be fixed securely and the cable to the fan should be a minimum of 1mm² in section. All wiring must comply with current I.E.E. Regulations or local regulations if outside the UK.
3. A double pole fused spur having contact separation of at least 3mm in all pole must be used and fitted with a 3A fuse.
4. This fan is double insulated and does not require an earth connection.
5. The fan should not be accessible to a person using either the shower or the bath.

INSTALLATION INSTRUCTIONS

SURFACE FITTING

Select a suitable position for the fan and cut the 112mm diameter hole for the discharge duct.

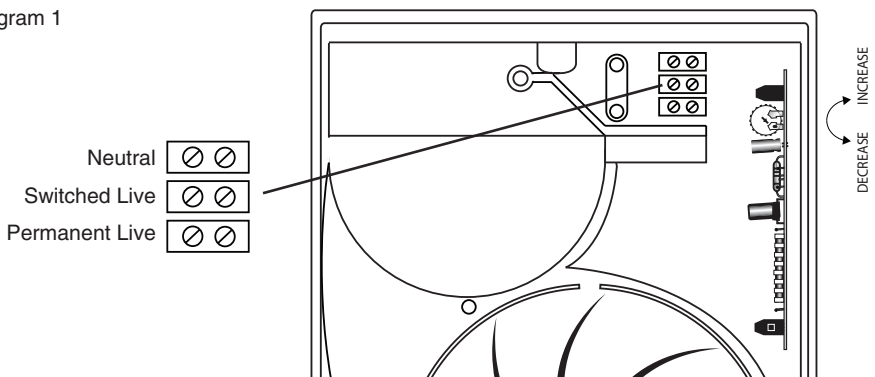
1. Mark the position on the wall for the 255mm high x 205mm wide surface mounted box, hold in position and mark the four fixing holes. Care must be taken to ensure the discharge hole is the correct orientation to suit the fan when fitted.
2. Drill and plug the four fixing holes and screw the surface mount box to the wall (care must be taken not to over tighten the screws).
3. Bring the power cable into position and ensure that you allow extra cable protruding to facilitate connection.
4. Remove the front cover of the fan by first removing the cover fascia (one screw located at the top behind the red/white hole plug – remove this by gently prying it out with a fine tipped screwdriver) and then removing the fixing screw located at the bottom, the cover then clips off. The chassis is fixed to the surface mount box by four screws. Refer to separate wiring details for connection.

RECESSED/FLUSH FITTING

Select a suitable position for the fan and cut a hole to suit the outlet and a recess to suit the body of the fan.

1. Vertical Discharge (Usually in the stud work internal walls) 225mm high x 180mm wide x 120mm deep.
2. Horizontal Discharge (Usually cavity external walls) 225mm high x 180mm wide x 75mm deep.
3. Position of Discharge hole Care must be taken to ensure the 112mm discharge spigot is the correct orientation to suit the recess. Always check studwork walls to ensure the hole and recess are between vertical timber studs.
4. Bring the power cable into position and ensure that you allow extra cable protruding to facilitate connection.
5. Hold the chassis in the recess and mark the position of the fixing holes. Drill and plug the four fixing holes and screw the chassis into position.
6. Refer to separate wiring details for connections.

Diagram 1



WIRING

Please refer to the first page, under the heading 'wiring' this is for safety information & general skill.

1. Wiring of Standard Model

The fan can either be operated from a separate pullcord switch fitted to the ceiling of the room or can be connected to the light switch so that the fan will start when the light is switched on. Requires a permanent live and neutral supply.

2. Wiring of Pullcord Model

This fan has its own integral pullcord on/off switch. Requires a permanent live and neutral supply.

3. Wiring of Timer Model - Diagram 1

The fan can either be operated from a separate pullcord switch fitted to the ceiling of the room or can be connected to the light switch so that the fan will start when the light is switched on. Requires a permanent live, a switch live and neutral supply.

4. Wiring of Humidity Model - Diagram 2

For the fan to operate as a normal time delay unit with humidity override i.e. when connected with a switched live coming from the light switch into the fan, the fan will operate when the light is switched on, and switch off after about 20 seconds to 35 minutes (timer is pre-set for the minimum). However, should the humidity in the room reach about 75%, which will happen if the shower is run or the bath filled with hot water, the fan will switch on and keep running until the humidity has been reduced to a normal level, about 65%. (Humidity sensor is adjustable.) Requires a permanent live, switch live and neutral supply.

5. Wiring of Humidity Pullcord Model - Diagram 3

This model is the same as the humidity model but with its own pullcord switch and a neon light power indicator. It does not require a switched live power supply. Requires a permanent live and neutral supply.

Diagram 2

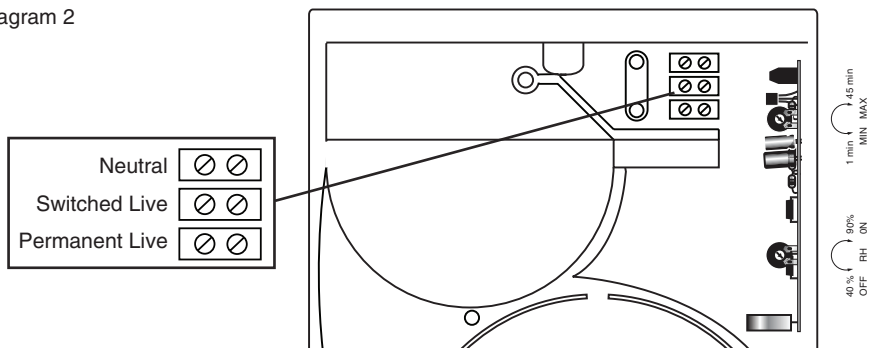
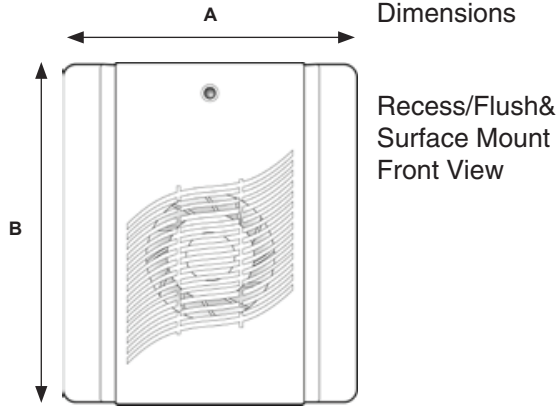
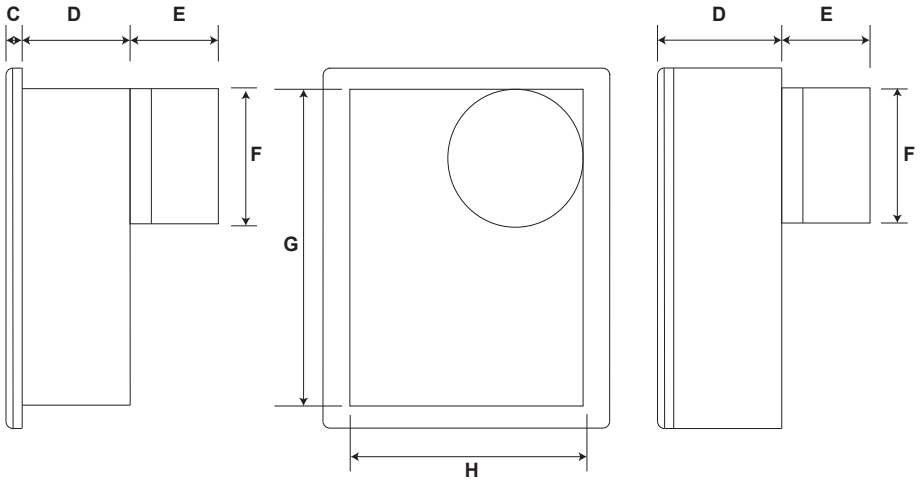


DIAGRAM 4



Flush Fit

Surface Mount



	A	B	C	D	E	F	G	H
SURFACE MOUNT	208	255	N/A	87	63	98	N/A	N/A
FLUSH MOUNT	208	255	19	68	63	98	225	178



PLEASE DISPOSE OF
USED FAN AT YOUR
LOCAL CIVIC AMENITY
SITE. DO NOT DISPOSE
IN DOMESTIC WASTE

