

# MANROSE®

## INSTALLATION INSTRUCTIONS FOR THE MANROSE 1351 REMOTE FAN TIMER

Please read these instructions before installation.

Switch off mains supply before making any electrical connections, if you are in any doubt about the installation consult a qualified electrician. This appliance may be used by children aged from 8 years and above and persons with reduced physical, sensory, or mental capabilities or lack of experience and knowledge if they have been given supervision or instruction concerning the use of the appliance in a safe way and understand the hazards involved. Children shall not play with the appliance. Cleaning and user maintenance shall not be made by children without supervision.

Precautions must be taken to avoid the back-flow of gases into the room from the open flue of gas or other open-fire appliances when mounted in outside walls or windows.

Fans must be disconnected from electrical power before any maintenance or adjustment is carried out.

Thank you for choosing the Manrose 1351 Remote Fan Timer, these Instructions are included for your guidance.

The adjustable Timer controller allows the user to adjust the length of time a fan will continue to run for after the switched power supply is turned off. The run on time can be adjusted from a minimum of approximately 1 minute up to a maximum of approximately 60 minutes.

Suitable for use with Manrose fans with an electrical load of more than 15W and less than 200W.

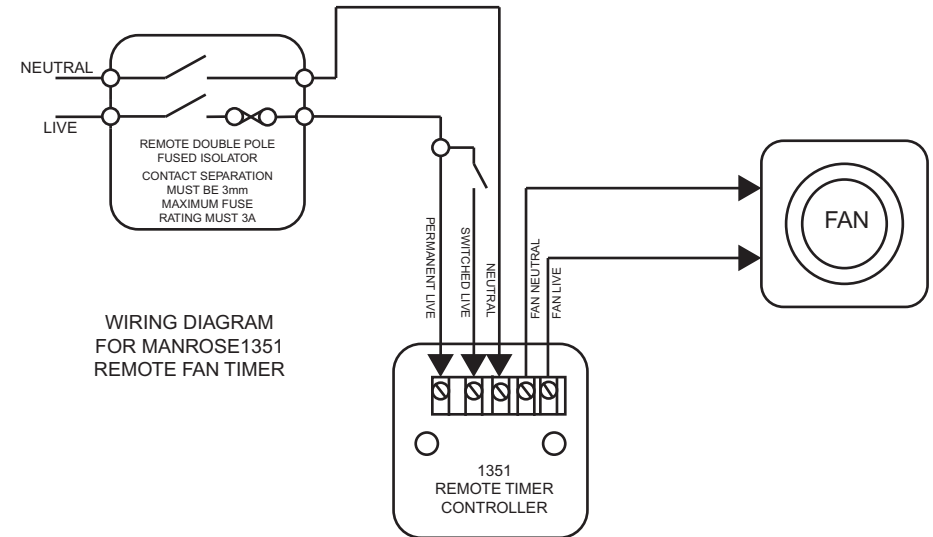
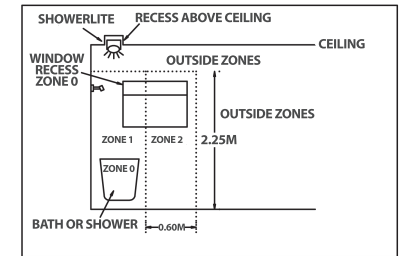
The control is designed to fit a standard 68mm, 2 or 4 lug recessed wall box.

- Please read and thoroughly understand these instructions before starting work.
- **IMPORTANT:** A double pole switched and fused spur must be used, having a contact separation of at least 3mm in all poles. Both the fused spur isolator and the Manrose Fan Speed Control must only be installed in accordance with the current edition of the wiring regulations. They must not be accessible to any person using either a shower or bath. See zone diagram for details. All wiring must be fixed securely. The cable to the fan must have a minimum of 1 square millimetre cross section and should not exceed 2000mm in length, excessive length could possibly cause radio interference. All wiring must comply with current IEE regulations.

Switch off mains supply before making any electrical connections.

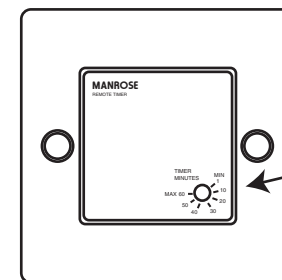
- IF IN ANY DOUBT PLEASE CONTACT A QUALIFIED ELECTRICIAN.

The remote timer controller must be installed outside of zones: 0,1 and 2 - see diagram:



WIRING DIAGRAM  
FOR MANROSE1351  
REMOTE FAN TIMER

### ADJUSTING OVER-RUN TIME



TO ADJUST OVER-RUN TIME  
TURN ADJUSTER CLOCKWISE  
TO INCREASE TIME, ANTI -  
CLOCKWISE TO REDUCE TIME.

