

## Please read these instructions before installation.

**Switch off mains supply before making any electrical connections, if you are in any doubt about the installation consult a qualified electrician. This appliance may be used by children aged from 8 years and above and persons with reduced physical, sensory, or mental capabilities or lack of experience and knowledge if they have been given supervision or instruction concerning the use of the appliance in a safe way and understand the hazards involved. Children shall not play with the appliance. Cleaning and user maintenance shall not be made by children without supervision.**

**Precautions must be taken to avoid the back-flow of gases into the room from the open flue of gas or other open-fire appliances when mounted in outside walls or windows.**

**Fans must be disconnected from electrical power before any maintenance or adjustment is carried out.**

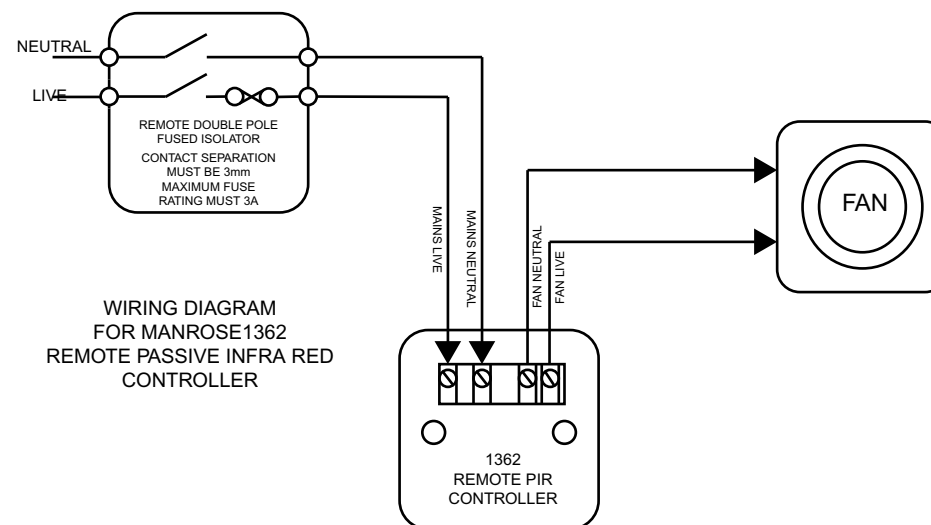
Thank you for choosing the Manrose 1362 Remote PIR Fan Timer. These Instructions are included for your guidance.

The Manrose 1362 Remote Humidistat PIR Timer is suitable for use with any single or combination of Manrose fans, providing the total electric load is not more than 200W. If used with a fan with automatic shutters the minimum run on time must be set for a minimum of 5 minutes to allow the shutters to fully open. This control unit contains a run timer activated by a passive infra-red detector. Typically, this would be used in a changing room or bathroom to instantly provide a maximum level of forced ventilation when the room is occupied (light switch on), followed by a further short period of maximum forced ventilation immediately after the room is vacated (and the light is switched off).

- The timer is user adjustable to provide a full power run-on period between approximately 20 seconds and 40 minutes.
- Please read and thoroughly understand these instructions before starting work.
- **IMPORTANT:** A double pole switched and fused spur must be used, having a contact separation of at least 3mm in all poles, and a fuse rated at 3A. Both the fused spur isolator and the Remote PIR Fan Timer must only be installed in accordance with IEE 16th edition zoning regulations. All wiring must be fixed securely. The cable to the fan must have a minimum of 1 square millimetre cross section and should not exceed 2000mm in length, excessive length could possibly cause radio interference.

Switch off mains supply before making any electrical connections.

- IF IN ANY DOUBT PLEASE CONTACT A QUALIFIED ELECTRICIAN.
- The wiring diagram below may be helpful



### PIR Operation

A PIR control works by sensing changes in infra-red radiation, to obtain best results from this unit the following points should be noted when locating the sensor:

Avoid locating the sensor above a radiator or heater as the heat rising from these will give false activations or mask the sensor.

Avoid locating the sensor above a window of vent as draughts from these could give false activations.

