

Deluxe high rise installation wall kit

DHRIWKW - White
DHRIWKB - Brown

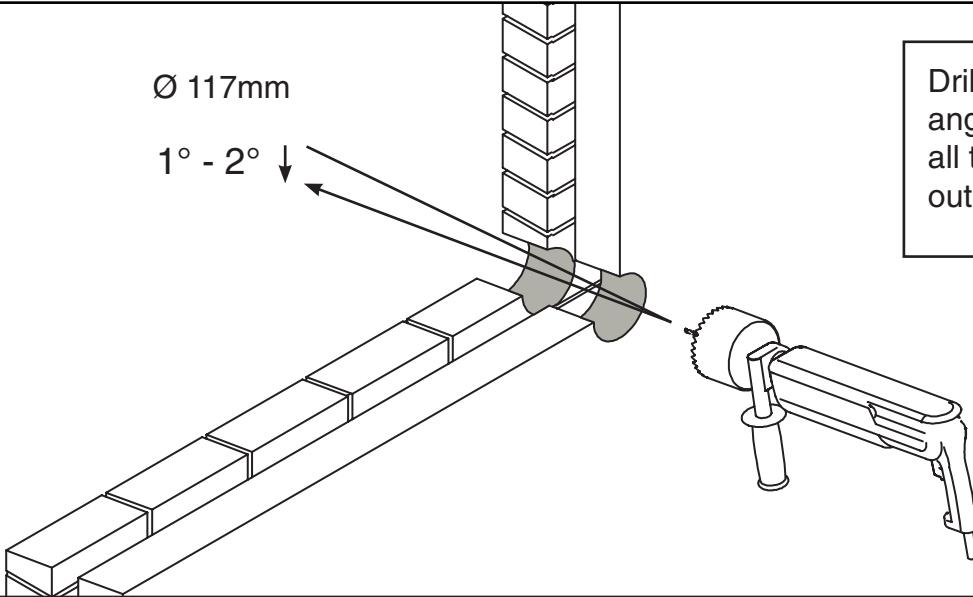


Please read these instructions carefully before commencing installation.

1

Ø 117mm

1° - 2° ↓



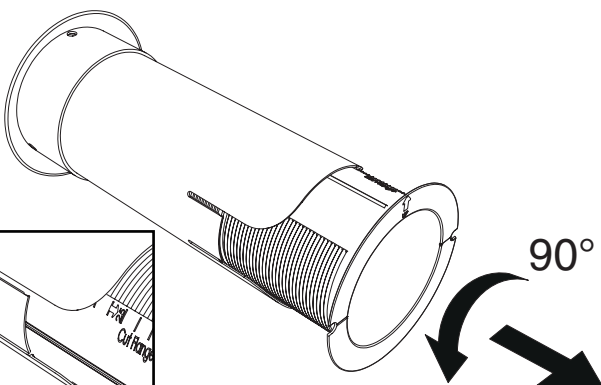
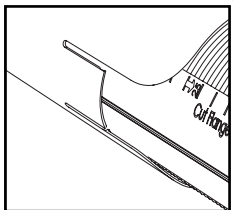
Drill hole 117mm diameter angled downwards 1° - 2° all the way through wall to outside.

2

Measure hole and note length, if deeper than 25cm, go to step 5
if shorter than 25cm, trim the outer pipe's ears - go to steps 3 + 4

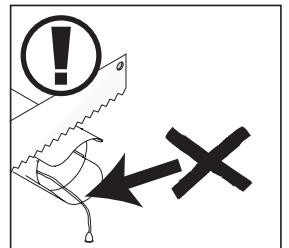
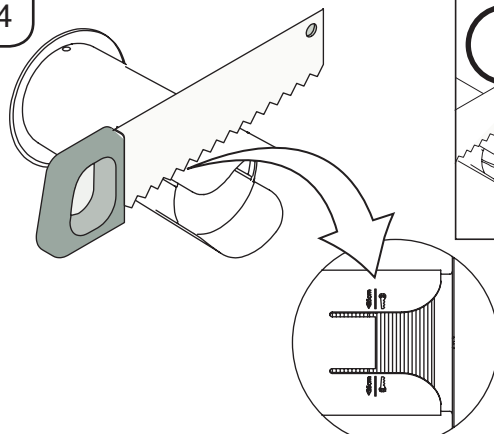


3

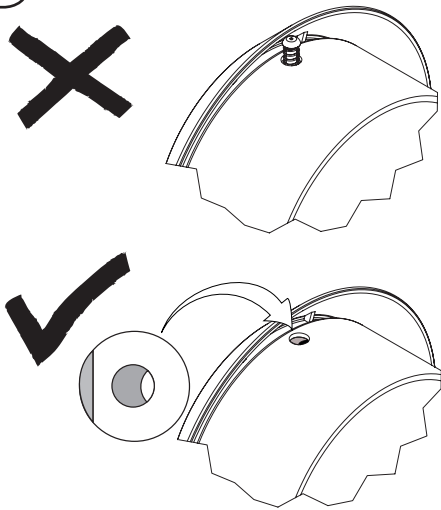


90°

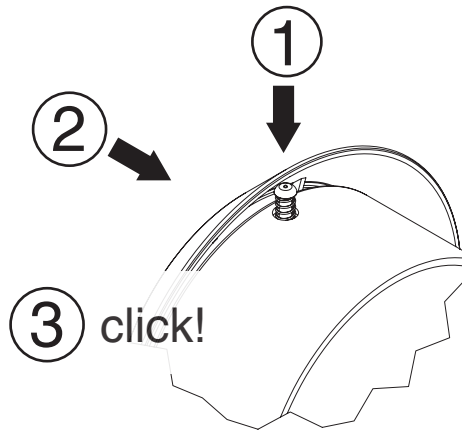
4



4

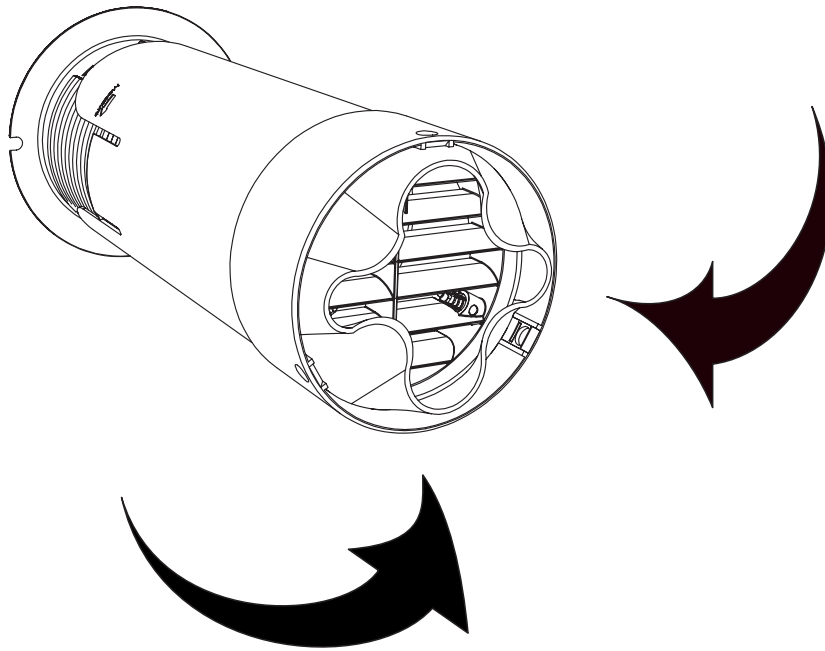


5



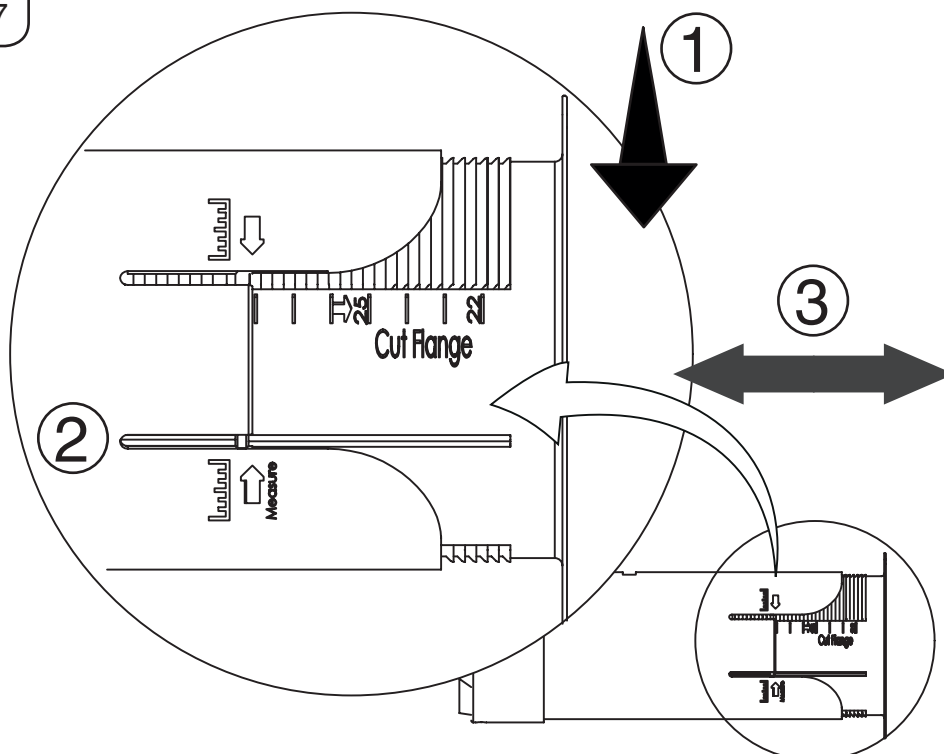
1. Push the locking pin down.
2. Push the grille inwards so the head of the locking pin is under the outer pipe.
3. When it *CLICKS!* it is in place.
4. Repeat for each one of the three pins.

6



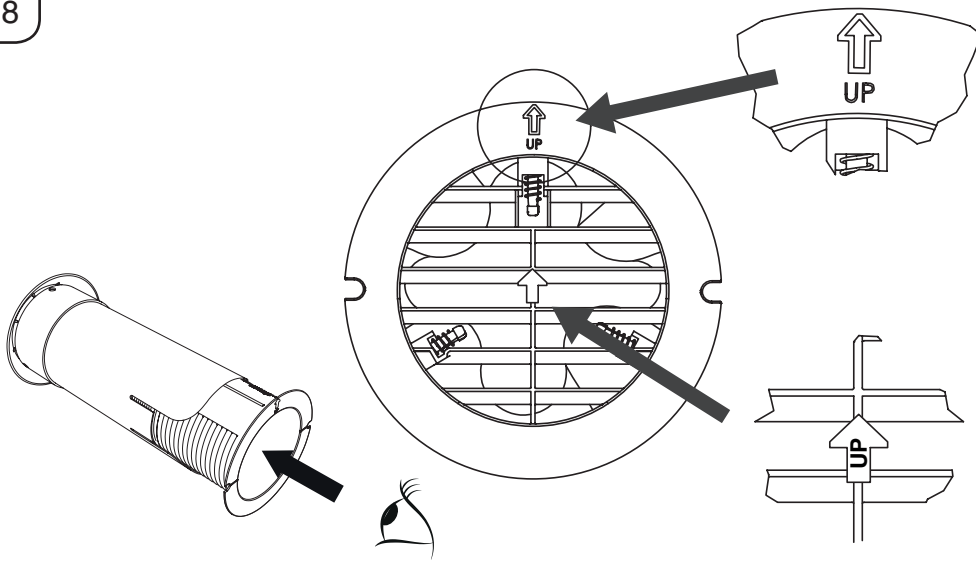
Fold seal inwards, push grille and seal into tube.

7



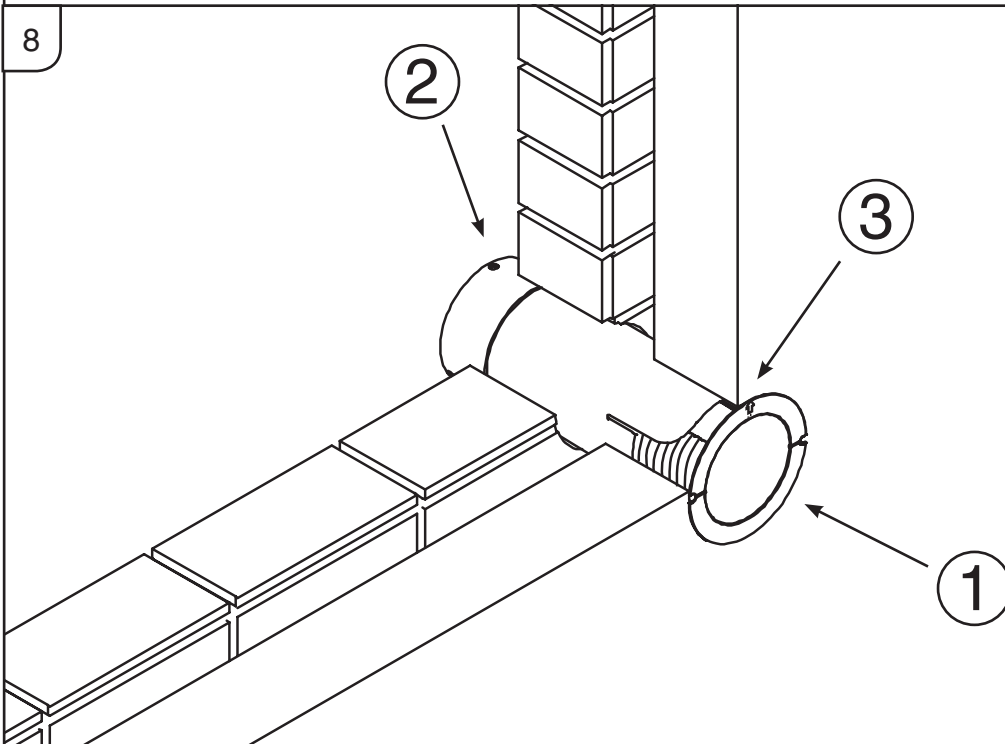
1. Rotate inner tube 45° clockwise.
2. Line ridge up with slot.
3. Slide inner tube in or out to match depth of hole measured in step 2.

8



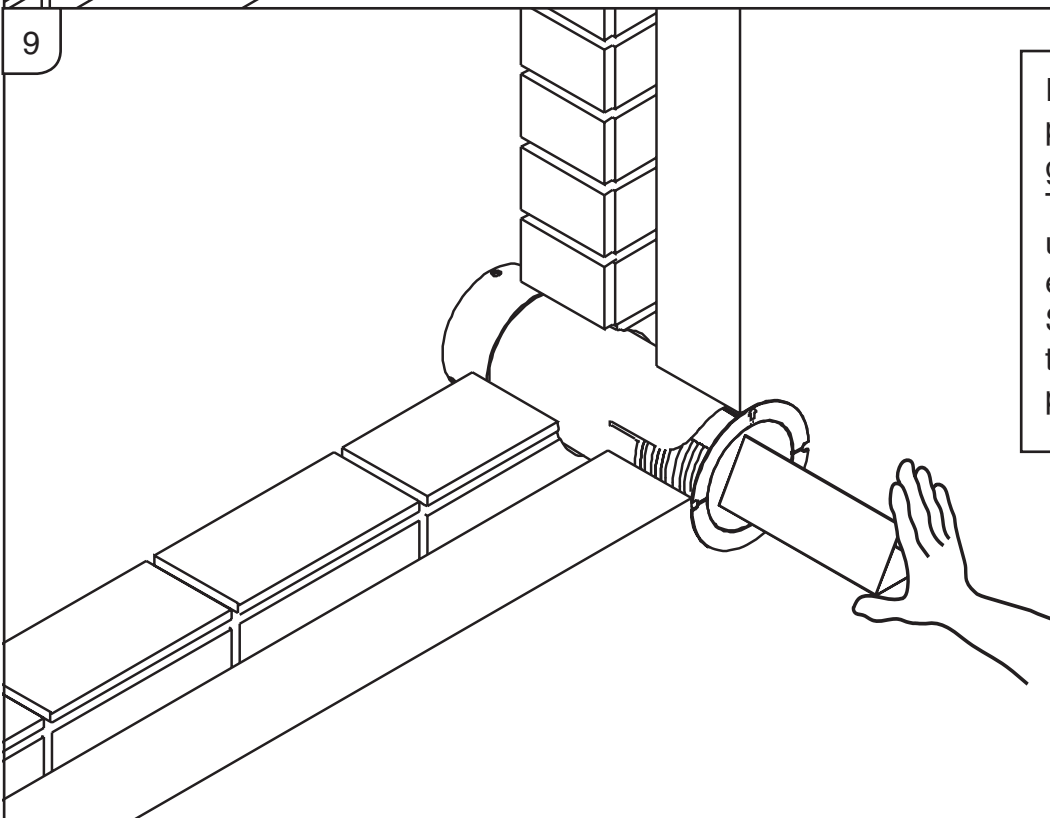
Look down the pipe and check that the two arrows are lined up and both facing upwards.

8



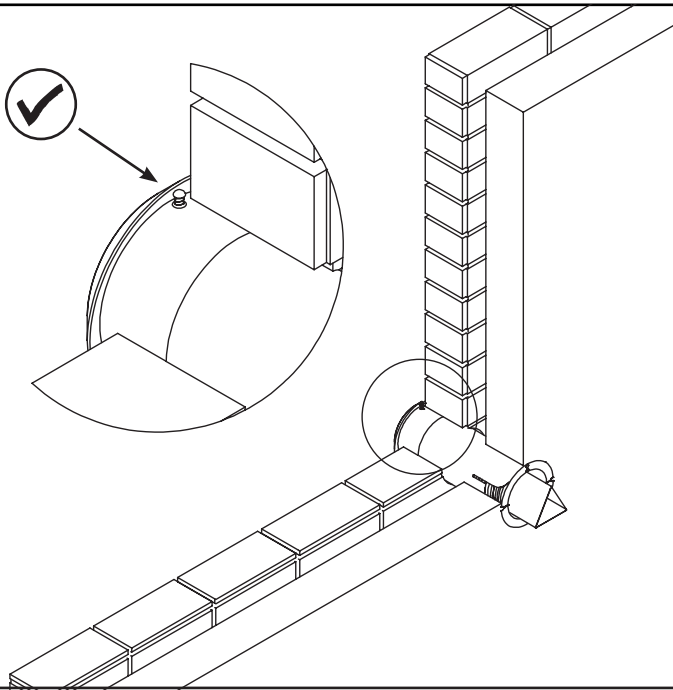
1. Push wall kit through wall
2. Ensure locking pins are outside wall.
3. Check arrow is at top

9



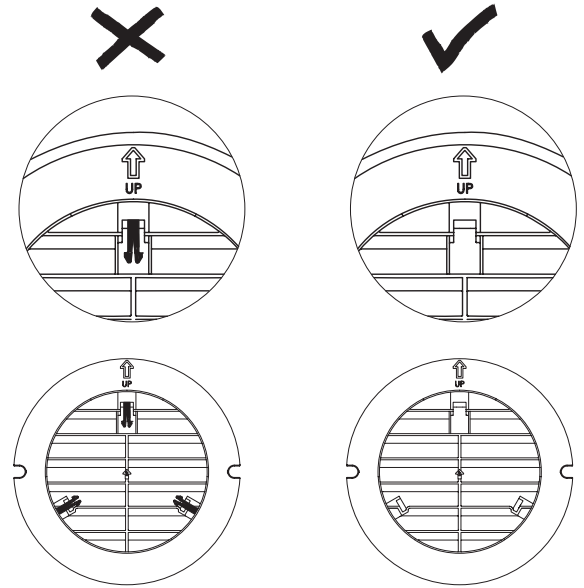
Insert folded cardboard push piece into duct and gently push. The seal will pop out and unfold, the locking pins will extend. Stop pushing when you hear the **CLICK!** of the locking pins - see overpage.

10

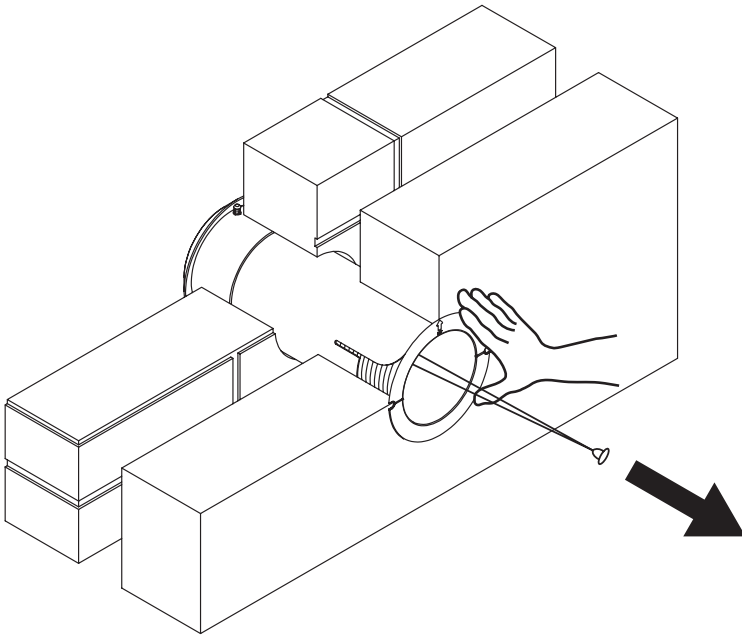


11

Check all 3 pins are out

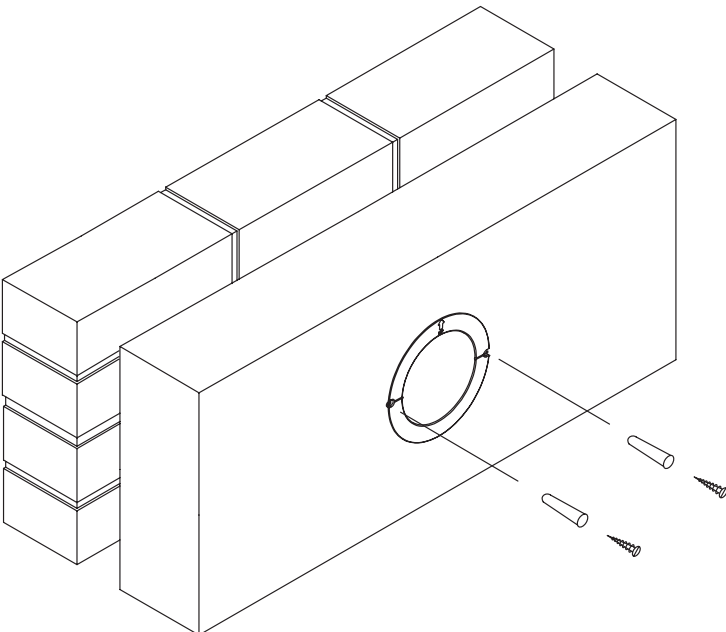


12



Hold duct flange firmly against the wall.
Using the toggle pull firmly to ensure wall kit is tight in the hole.

13



Using supplied screws and rawl plugs attach flange to wall.

14

