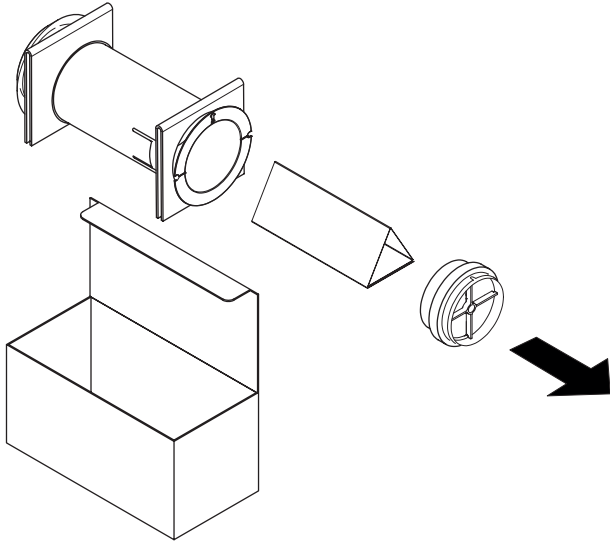


Deluxe internal fit wall kit with backdraught shutter

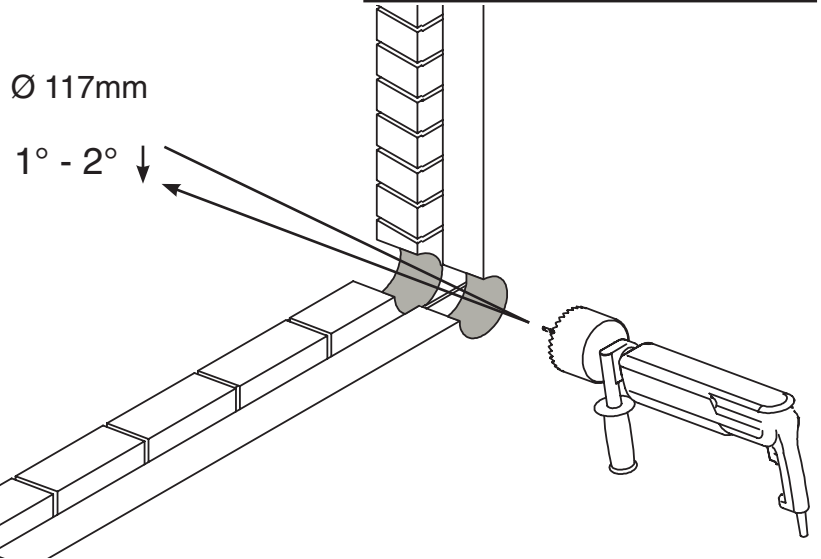
DHRIWKWBS - White
DHRIWKBBS - Brown

 Please read these instructions carefully before commencing installation.

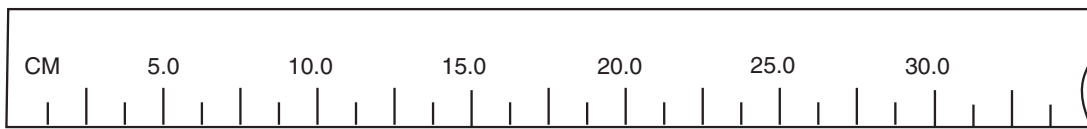
1 Open box, gently slide the backdraught shutter out of the pipe. Remove folded push piece.

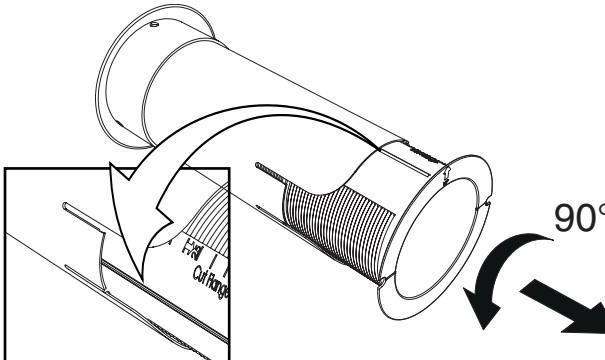


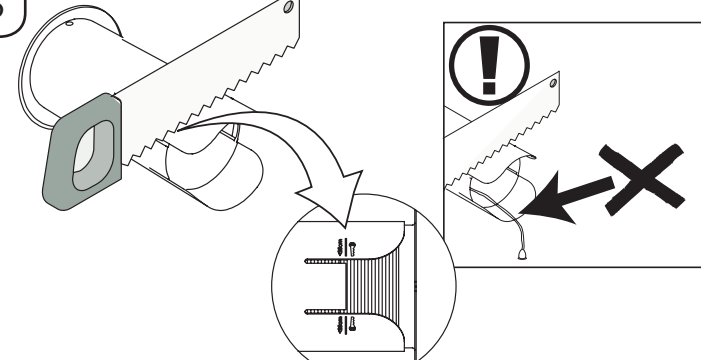
2 Drill hole 117mm diameter angled downwards 1° - 2° all the way through wall to outside.



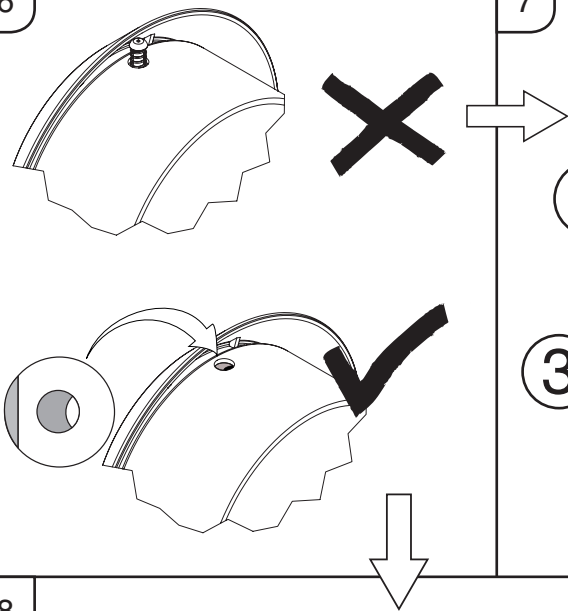
3 Measure hole and note length, if deeper than 25cm, go to step 5. If shorter than 25cm, trim the outer pipe's ears - go to steps 3 + 4



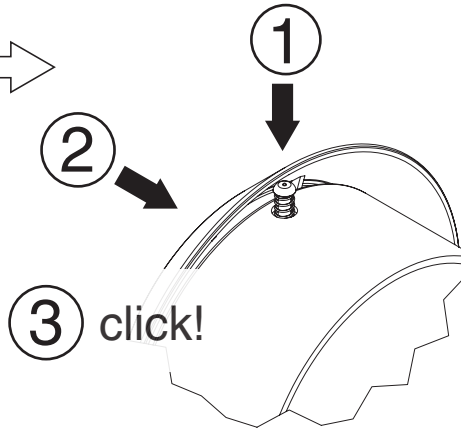
4  90°

5 

6

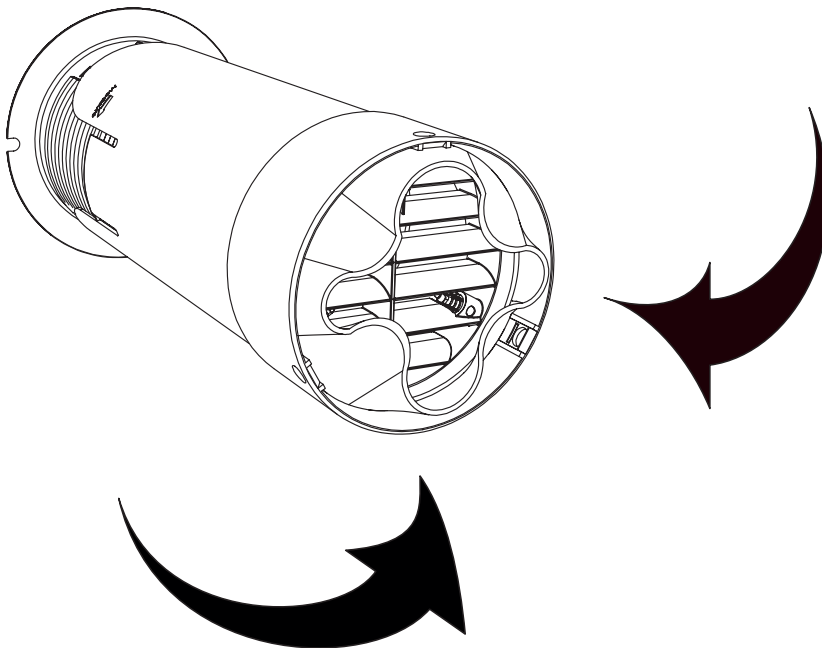


7



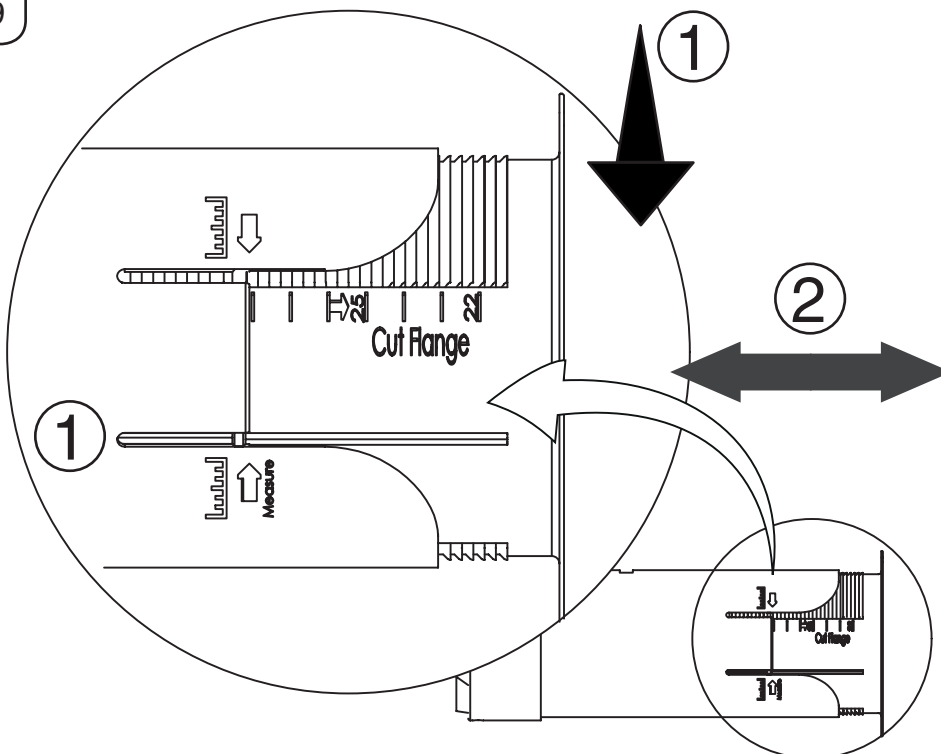
1. Push the locking pin down.
2. Push the grille inwards so the head of the locking pin is under the outer pipe.
3. When it *CLICKS!* it is in place.
4. Repeat for each one of the three pins.

8



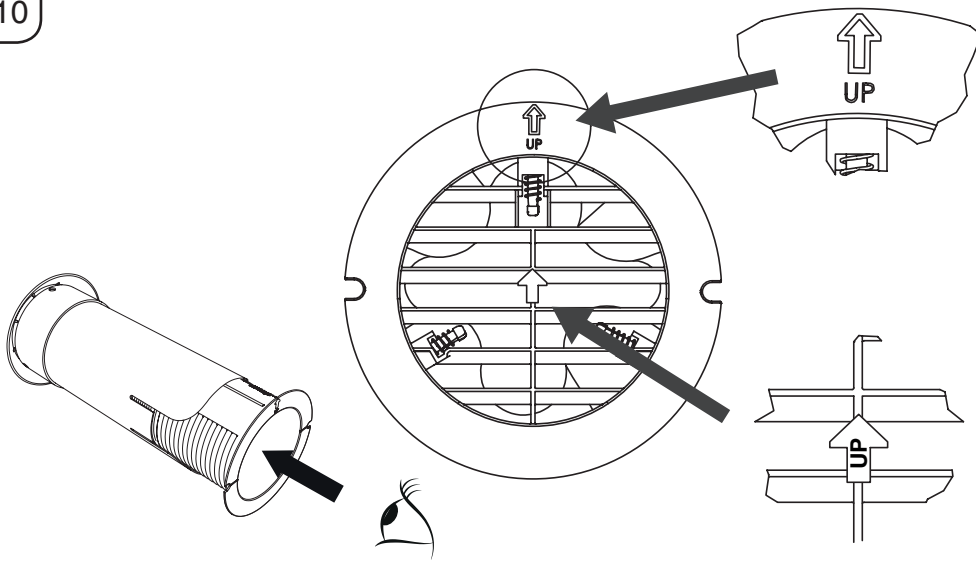
Fold seal inwards, push grille and seal into tube.

9



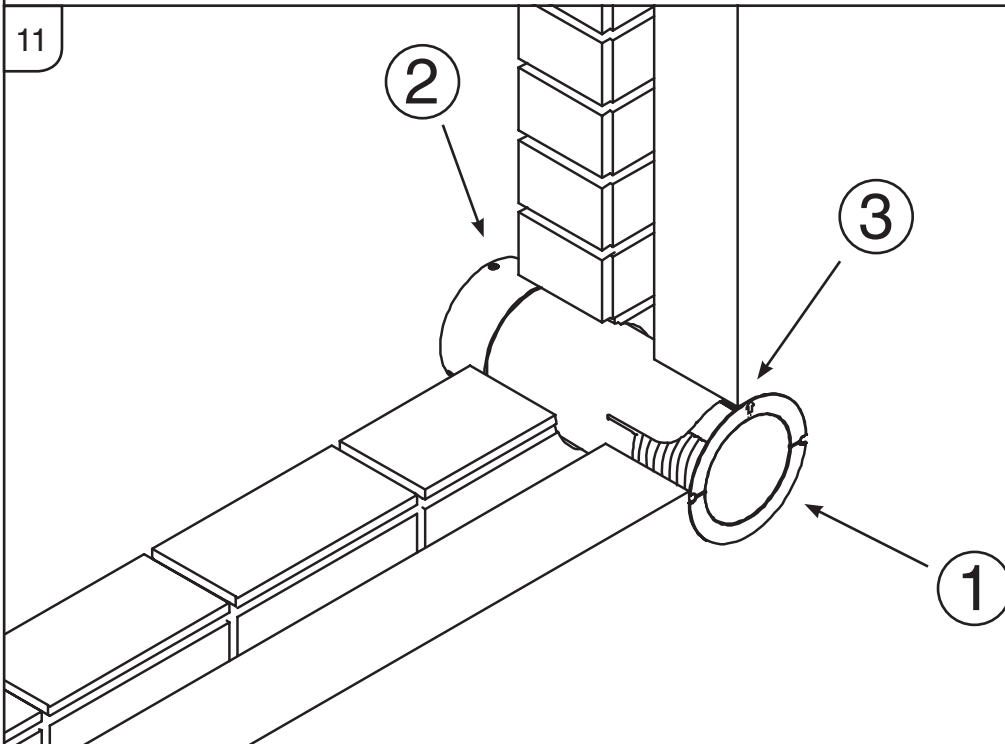
1. Rotate inner tube until ridge up lines up with slot.
2. Slide inner tube in or out to match depth of hole measured in step 2.

10



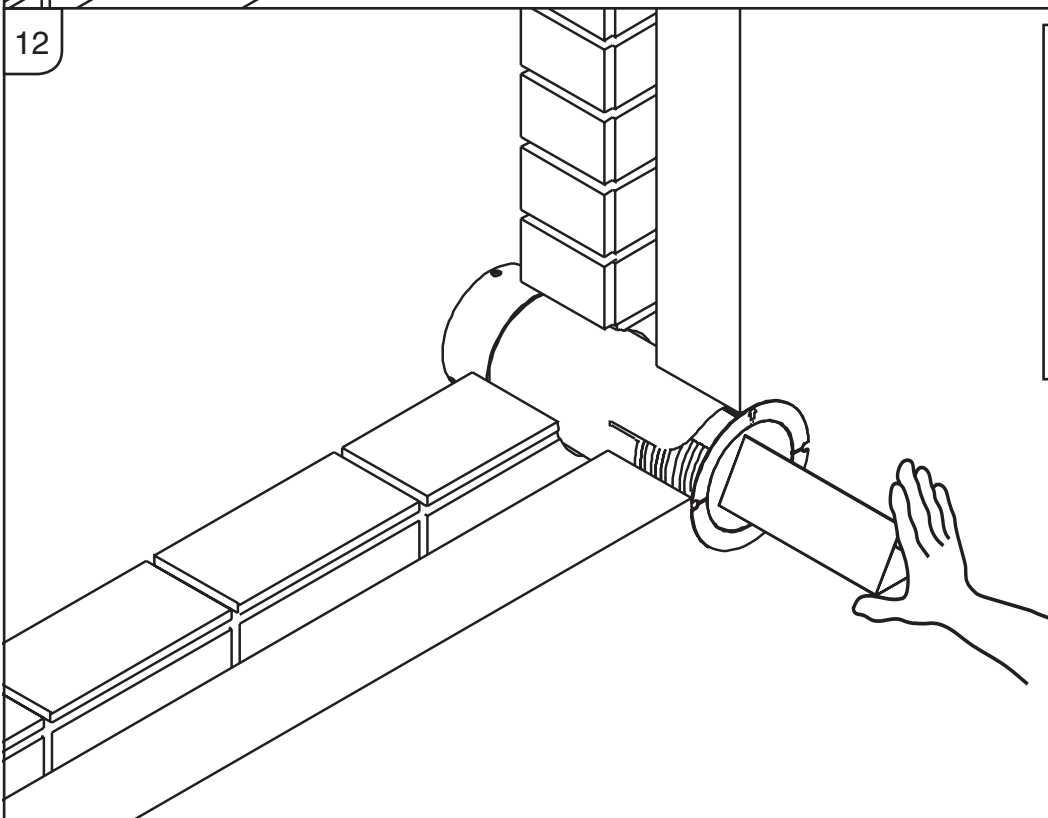
Look down the pipe and check that the two arrows are lined up and both facing upwards.

11



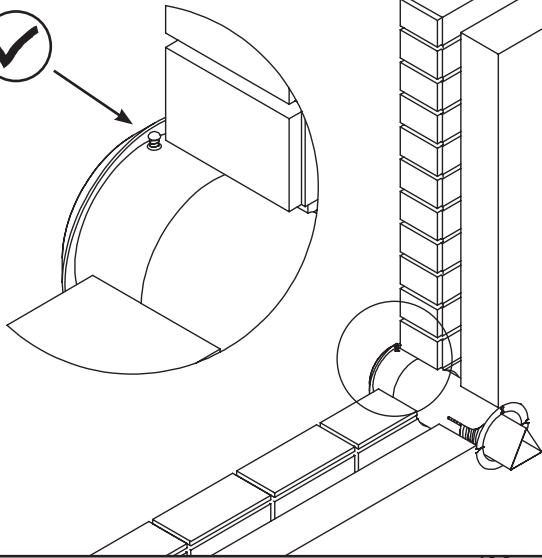
1. Push wall kit through wall
2. Ensure locking pins are outside wall.
3. Check arrow is at top

12



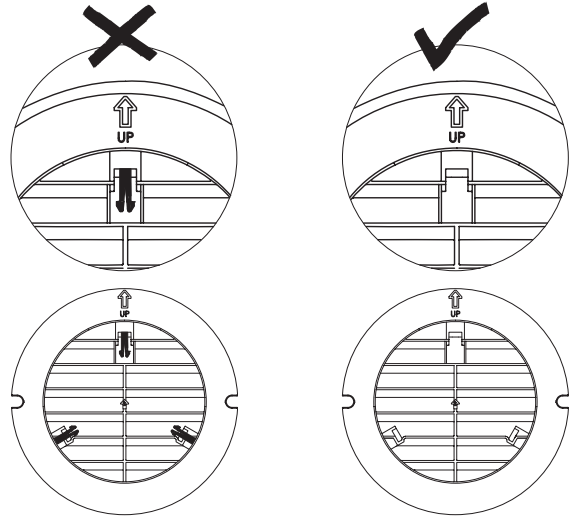
Insert folded cardboard into duct and gently push. The seal will pop out and unfold, the locking pins will extend. Stop pushing when you hear the **CLICK!** of the locking pins - see overpage.

13

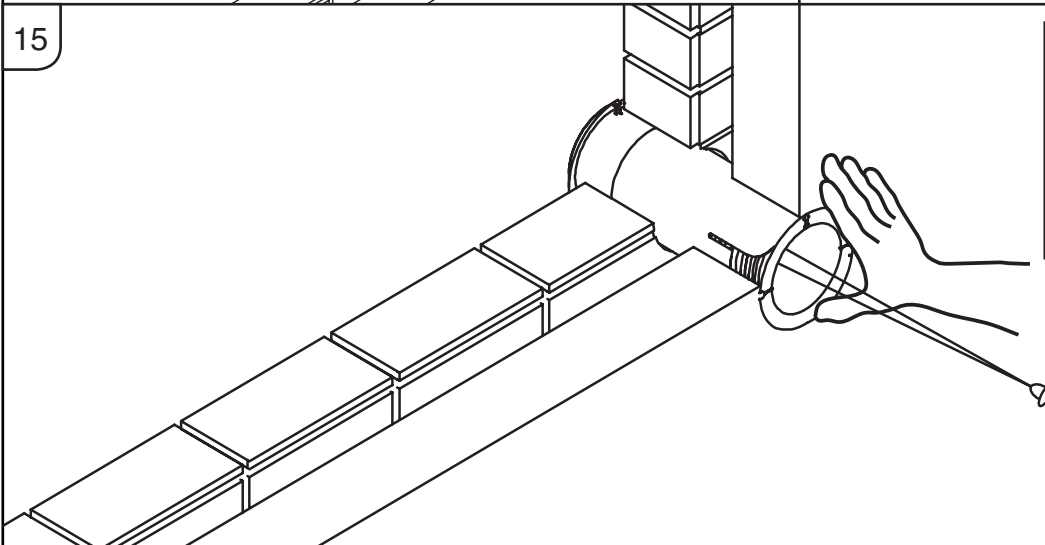


14

Check all 3 pins are out

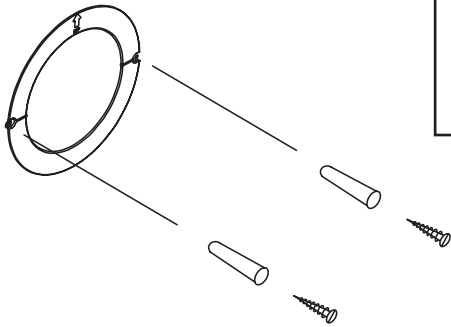


15



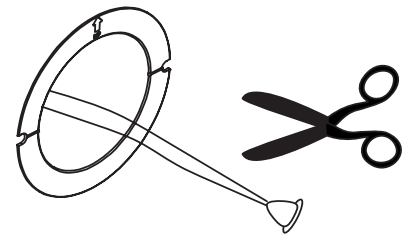
Hold duct flange firmly against the wall. Using the toggle pull to ensure wall kit is tight in the hole.

16



Using supplied screws and rawl plugs attach flange to wall.

17



18

