

INSTALLATION INSTRUCTIONS FOR MANROSE COMTSCV FAN SPEED CONTROLLER

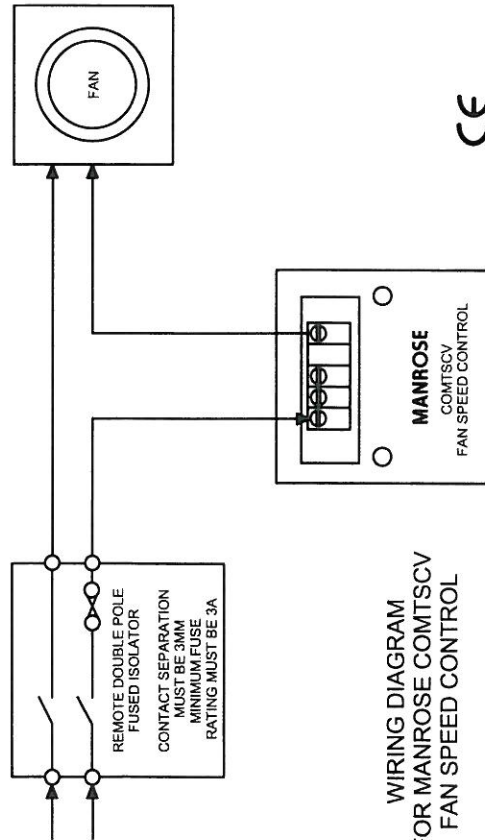
Thank you for choosing the Manrose COMTSCV Fan Speed Control. These instructions are included for your guidance. Please read and thoroughly understand them before starting work.

This unit is suitable for controlling the speed of Manrose Fans, providing that the electrical load is not less than 20W or more than 200W. The control is designed to fit a standard 68mm, 2 or 4 lug-recessed wall box. The control knob allows the user to switch the fan on at full speed, and then adjust the fan speed to the desired level. The minimum speed is selected when the knob is fully clockwise.

IMPORTANT: In the United Kingdom this unit must be installed in accordance with IEE zoning regulations or local regulations if outside the UK. A double pole switched and fused spur must be used, having a contact separation of at least 3mm in all poles, and a fuse rated at 3A. Both the fused spur isolator and the Manrose Fan Speed Control must not be accessible to any person using either the bath or the shower. All wiring must be fixed securely. The cable to the fan must have a minimum of 1 square millimetre cross section and should not exceed 2000mm in length, excessive length could possible cause radio interference. All wiring must comply with current IEE regulations. Switch off mains supply before making any electrical connections.

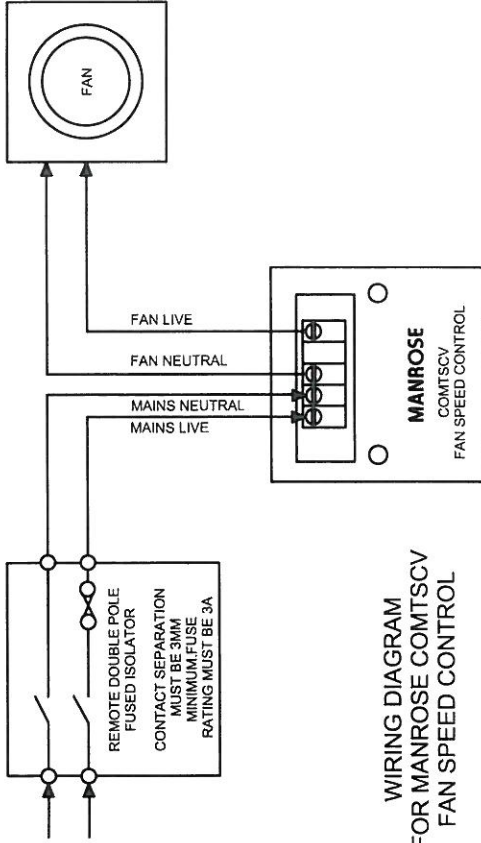
- If retro fitting to replace an existing on-off switch unit, please remove the existing switch unit from the wall and transfer the wires from the old switch to the terminals of the new speed control, and screw the speed control to the wall box. The polarity of the wires is not important – either way round will work.
- If in any doubt please consult a qualified electrician.

The following diagram shows the basic 2 pole switched loop wiring layout. The unit may also be wired in a 4-wire circuit, as shown overleaf.



**WIRING DIAGRAM
FOR MANROSE COMTSCV
FAN SPEED CONTROL**

WIRING LAYOUT USING OPTIONAL 4 WIRE CIRCUIT FOR MANROSE COMTSCV



**WIRING DIAGRAM
FOR MANROSE COMTSCV
FAN SPEED CONTROL**