

INSTALLATION INSTRUCTIONS

QF100HX5, SX5, TX5 Quiet Fan Range - IPX5 models

Switch off mains supply before making any electrical connections.

Installation must be supervised by a qualified electrician.

This appliance can be used by children aged from 8 years and above and persons with reduced physical, sensory and mental capabilities or lack of experience and knowledge if they have been given supervision or instruction concerning the use of the appliance in a safe way and understand the hazards involved.

Children shall not play with the appliance.

Cleaning and user maintenance shall not be made by children without supervision.

Precautions must be taken to avoid the back-flow of gases into the room from the open flue of gas or other open-fire appliances when mounted in outside windows or walls.

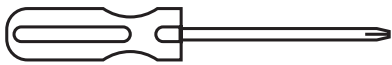
Fan must be disconnected from electrical power before any maintenance is carried out.

Location

1. When installing fan through an external wall, an external wall grille must be fitted at all times.
2. For best results this Extractor Fan should be fitted as high on the wall as possible, or if preferred, on the ceiling.
3. When installing **Timer or Humidity** fans ensure the electronic circuit board is at the top of the fan.
4. If the fan is installed in a room containing a fuel burning appliance, the installer must ensure that the air replacement is adequate for both the fan and the fuel burning appliance.
5. Where ducted fans are used to handle moisture-laden air, such as a bathroom, a condensation trap should be fitted in any vertical exhaust ducts.

Wiring

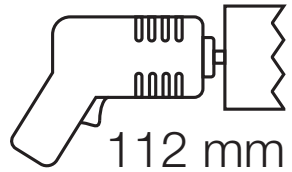
1. Switch off mains supply before making electrical connections. If in any doubt contact a qualified electrician.
2. These units are for fixed wiring only. A flexible cord must not be used. All wiring must be fixed securely and the cable to the fan should be a minimum of 1mm² in section. All wiring must comply with current I.E.E. Regulations or local regulations if outside the UK.
3. A double pole fused spur having contact separation of at least 3mm in all pole must be used and fitted with a 3A fuse.
4. This fan is double insulated and does not require an earth connection.



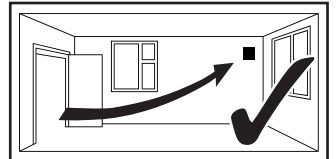
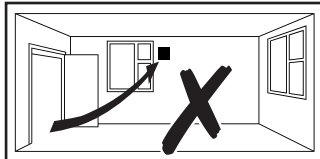
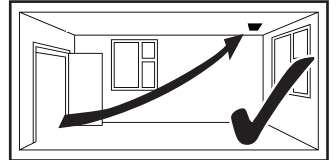
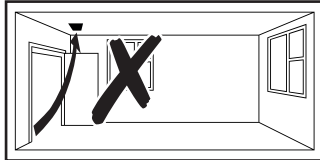
+



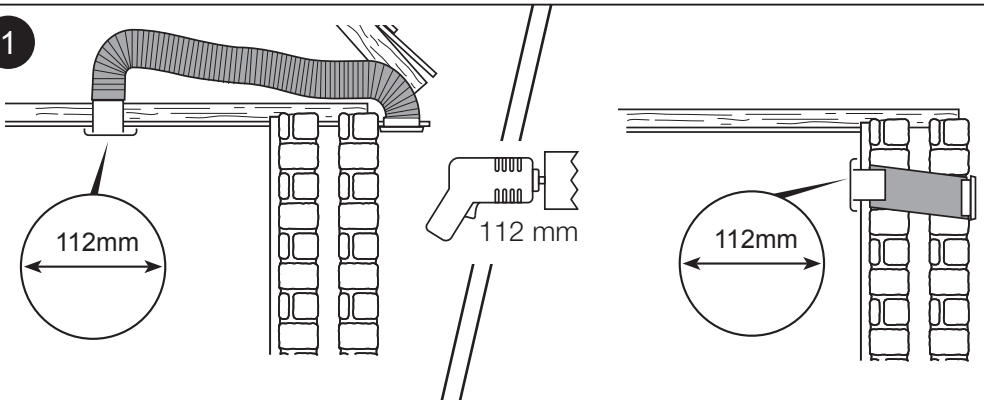
-



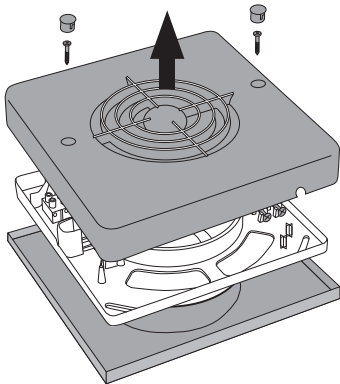
112 mm



1



2



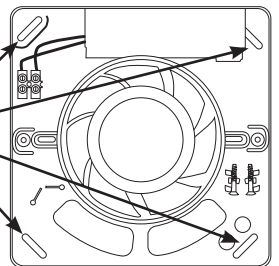
3a



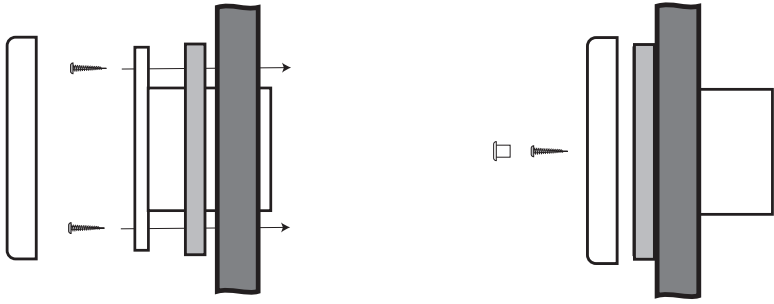
3b



x4

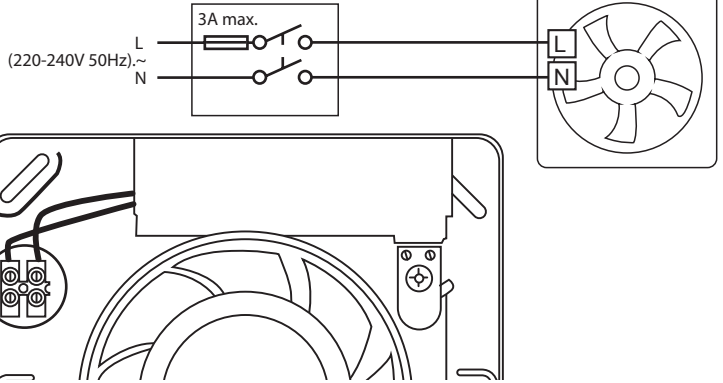
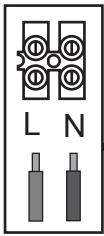


3b



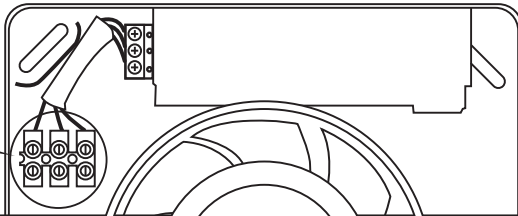
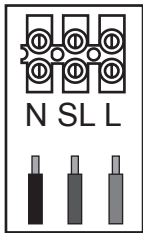
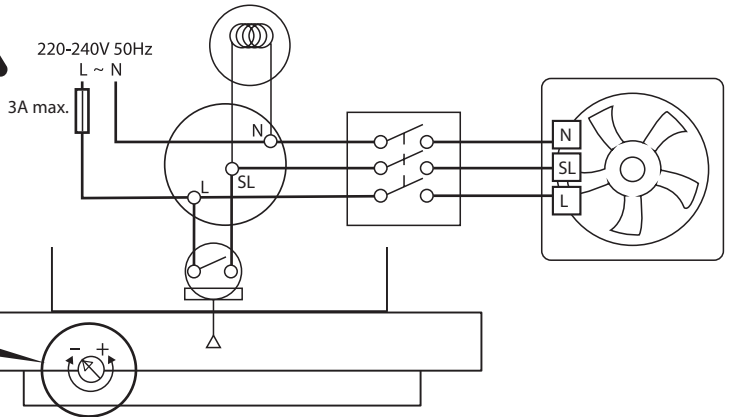
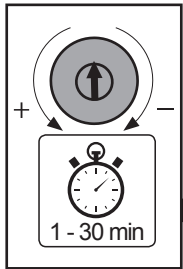
4a

100S



4b

100T



4c

100H

