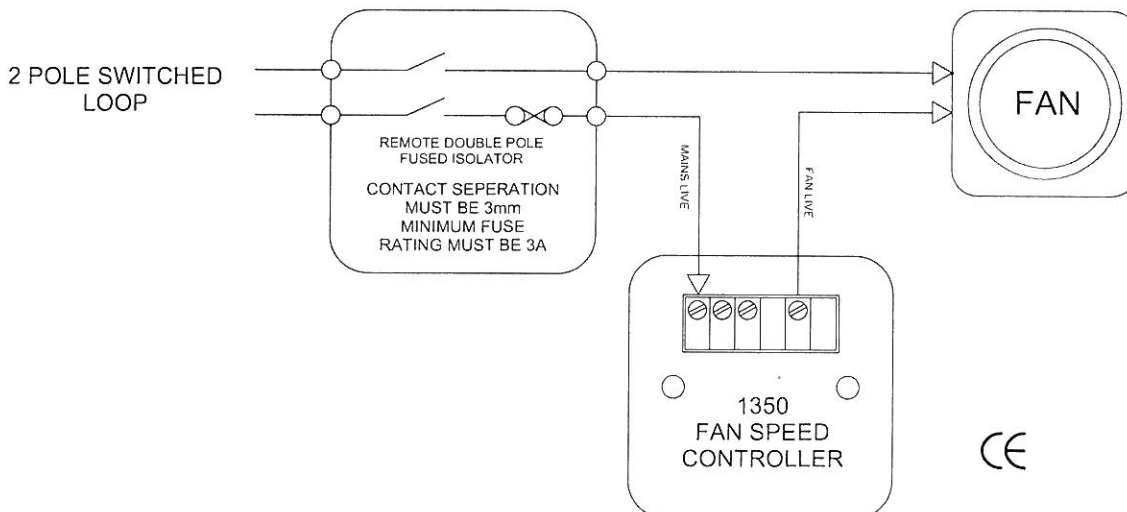
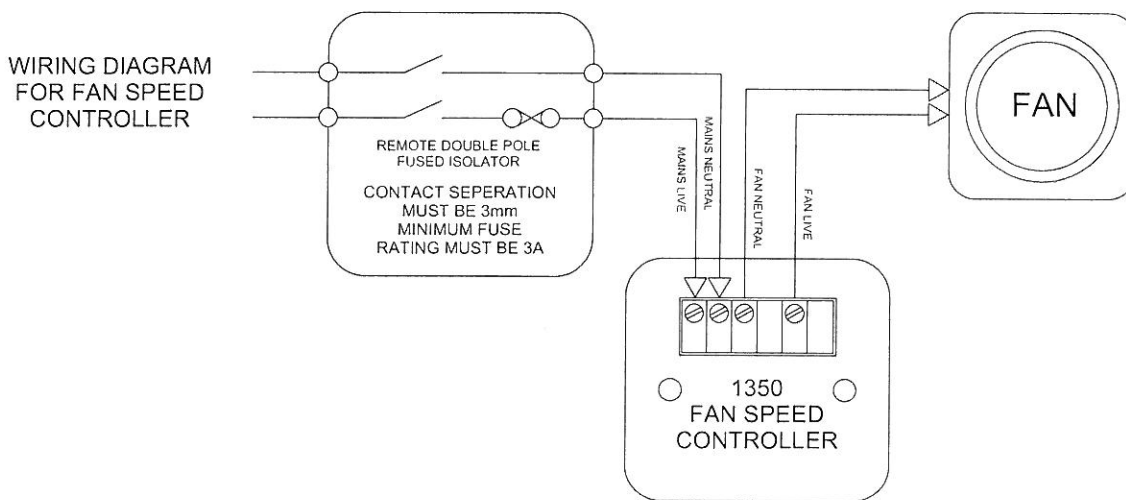


INSTALLATION INSTRUCTIONS FOR 1350 MANROSE FAN SPEED CONTROLLER

Thank you for choosing the Manrose Fan Speed Controller. These instructions are included for your guidance. Please read and thoroughly understand them before starting work.

This unit is suitable for controlling the speed of Manrose Fans, providing that the electrical load is not less than 20W or more than 200W. The control is designed to fit a standard 68mm, 2 or 4 lug-recessed wall box. The control knob allows the user to switch the fan on at full speed and then adjust the fan speed to the desired level. The minimum speed is selected when the knob is fully clockwise.

- **IMPORTANT:** A double pole switched and fused spur must be used, having a contact separation of at least 3mm in all poles, and a fuse rated at 3A. Both the fused spur isolator and the Manrose Fan Speed Control must not be accessible to any person using either the bath or the shower. All wiring must be fixed securely. The cable to the fan must have a minimum of 1 square millimetre cross section and should not exceed 2000mm in length, excessive length could possibly cause radio interference. All wiring must comply with current IEE installation and zoning regulations. Switch off mains supply before making any electrical connections.
- If retro fitting to replace an existing on-off switch unit, please remove the existing switch unit from the wall and transfer the wires from the old switch to the terminals of the new speed control, and screw the speed control to the wall box. The polarity of the wires is not important – either way round will work.
- The wiring diagrams below show the basic 2 pole switched loop wiring layout or a four wire installation.



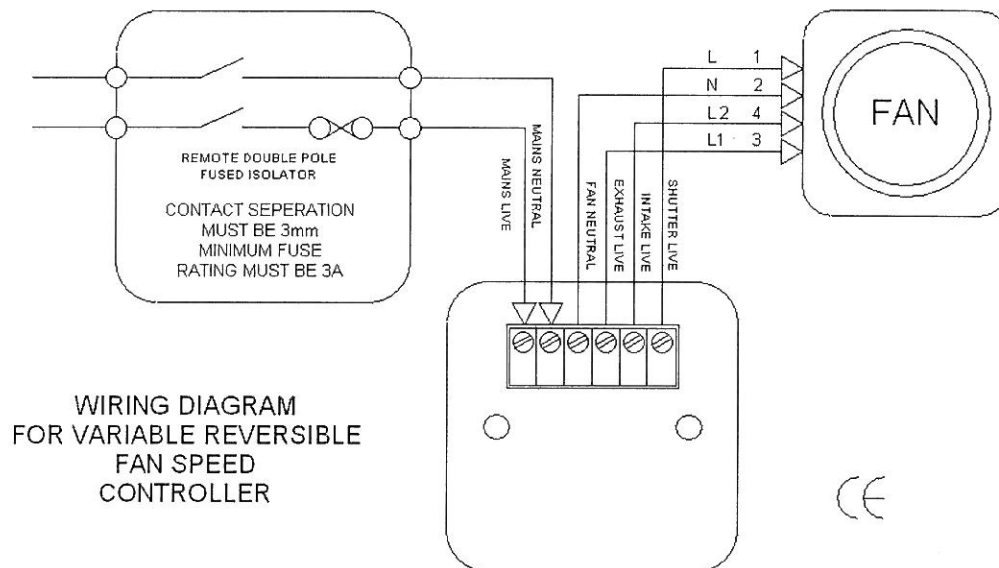
INSTALLATION INSTRUCTIONS FOR VARIABLE REVERSIBLE FAN SPEED CONTROLLER

Thank you for choosing the Variable Reversible Fan Speed Control. These instructions are included for your guidance. Please read thoroughly and understand them before starting work.

The Variable Reversible Speed Control is suitable for controlling the running speed of any single or combination of 230mm or 300mm Fans with or without shutters, providing that the total electrical load is not less than 20W or more than 200W.

Typically, these high flow rate fans would be arranged to exhaust humid or stale air from the room. The Variable Reversible Speed Control allows the user to adjust the air flow rate to suit variable room occupancy and use, thereby reducing unnecessary heat loss and achieving substantial energy savings. The Variable Reversible Speed Control also allows the user to operate the fan in reverse, supplying fresh air directly into the room.

- **IMPORTANT:** A double pole switched and fused spur must be used, having a contact separation of at least 3mm in all poles, and a fuse rated at 3A. Both the fused spur isolator and the Variable Reversible Fan Speed Control must not be accessible to any person using either the shower or the bath in accordance with latest IEE zoning regulations. All wiring must be fixed securely. The cable to the fan must have a minimum of 1 square millimetre cross section and should not exceed 2000mm in length; excessive length could possibly cause radio interference. All wiring locations must comply with current IEE installation and zoning regulations. Switch off mains supply before making any electrical connections.
- If in any doubt please consult a qualified electrician.
- This wiring diagram may be helpful.



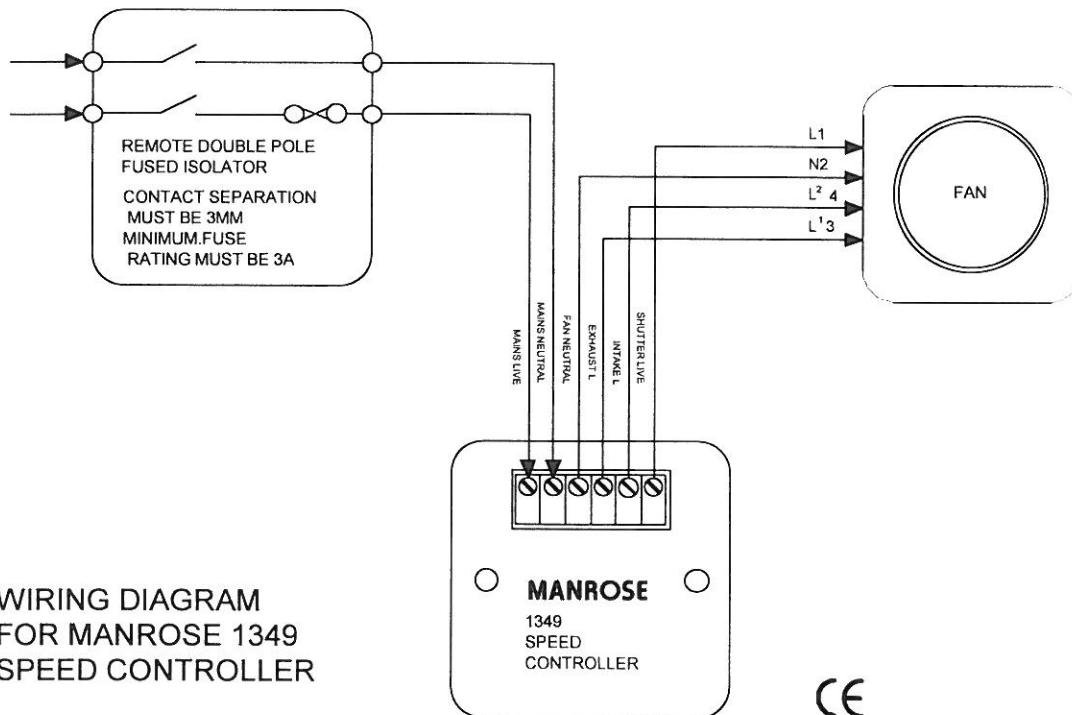
INSTALLATION INSTRUCTIONS FOR MANROSE 1349 REVERSIBLE FAN SPEED CONTROLLER

Thank you for choosing the Manrose 1349 Reversible Fan Speed Control. These instructions are included for your guidance. Please read thoroughly and understand them before starting work.

The Manrose 1349 Reversible Speed Control is suitable for controlling the running speed of any single or combination of Manrose 9" Fans with or without shutters, providing that the total electrical load is not less than 20W or more than 200W.

Typically, these high flow rate fans would be arranged to exhaust humid or stale air from the room. The 1349 Reversible Speed Control allows the user to adjust the air flow rate to suit variable room occupancy and use, thereby reducing unnecessary heat loss and achieving substantial energy savings. The 1349 Reversible Speed Control also allows the user to operate the fan in reverse, supplying fresh air directly into the room.

- **IMPORTANT:** A double pole switched and fused spur must be used, having a contact separation of at least 3mm in all poles, and a fuse rated at 3A. Both the fused spur isolator and the Manrose 1349 Reversible Fan Speed Control must not be accessible to any person using either the shower or the bath. All wiring must be fixed securely. The cable to the fan must have a minimum of 1 square millimetre cross section and should not exceed 2000mm in length, excessive length could possible cause radio interference. All wiring must comply with current IEE regulations. Switch off mains supply before making any electrical connections.
- If in any doubt please consult a qualified electrician.
- This wiring diagram may be helpful.



WIRING DIAGRAM
FOR MANROSE 1349
SPEED CONTROLLER

