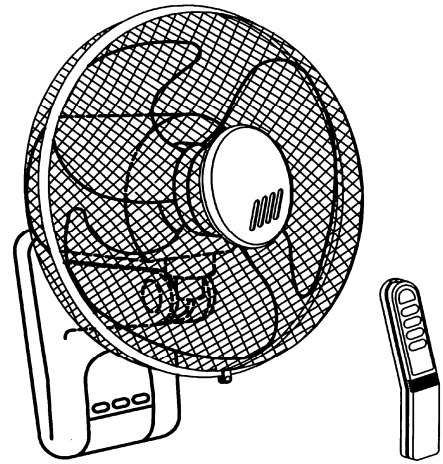


# REMOTE WALL FAN ASSEMBLY & USER LEAFLET

**Please read these instructions carefully  
before operating the Fan**



## **FAN ASSEMBLY INSTRUCTIONS**

- 1) Unscrew the impeller retaining cap by turning it clockwise and the guard retaining nut anti-clockwise remove both of them from the motor shaft.
- 2) Take the rear guard section and slide it over the threaded screw on the fan body (making sure the small pegs line up with the holes in the guard).
- 3) Screw on the plastic nut to secure the rear guard in place.
- 4) Push the impeller on to the motor shaft until it reaches the stop.
- 5) Screw on the impeller-retaining cap in an anti-clockwise direction to secure the impeller into position.
- 6) Hook the front guard on to the rear guard section at the top.
- 7) Click the two guard sections together then push the clip on the bottom of the grille upwards until it stops. The screw at the bottom of the grille **MUST** be tightened to lock the grille in position.

## **IMPORTANT**

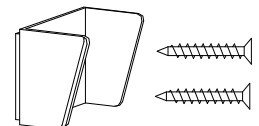
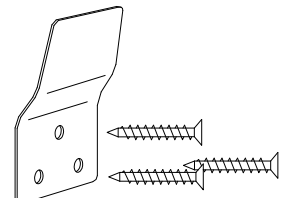
- ◆ Ensure that the voltage marked on the underside of the fan agrees with your mains voltage.
- ◆ This fan is a class 1 appliance and **MUST BE EARTHED**.
- ◆ The wires in the mains lead are coloured in accordance with the following code:-

**BLUE** – NEUTRAL      **BROWN** – LIVE      **GREEN** - EARTH

- ◆ This fan must **NOT** be used in a bathroom.
- ◆ Always ensure that a fuse approved to BS 1362 is fitted and that it is the correct rating for the appliance.
- ◆ **IF IN DOUBT CONSULT A QUALIFIED ELECTRICIAN**

## **MOUNTING OF THE FAN**

- 1) Place the metal hanging bracket provided against the wall in the position you wish the fan to go.
- 2) Mark through the holes in the bracket with a pencil/pen and then remove the bracket.
- 3) With suitable fixings appropriate to the surface that the fan is to be mounted on, fix the bracket to the wall.
- 4) Now hang the fan to the wall, by locating the slot on the rear of the fan over the hanging bracket.
- 5) There is also a plastic holder for the remote control, this can be fixed to the wall in the same way as stated above.



## **OPERATION OF THE FAN**

The remote control has the following functions: -

### **OFF**

When the fan is running press this button once to **stop** the fan.

### **SPEED**

To turn the fan ON press this button once, The fan will start on the low speed setting. Press the "speed" button again to select the medium speed setting. Another press of the "speed" button will select the high speed setting. Once more will go back to the low speed setting and so on.

### **SOFT WIND**

This function allows the fan to automatically change the speed of the fan as follows: -

LOW > MED > STOP > LOW > MED > STOP > e.t.c

### **TIMER**

This will allow you to select 4 pre-set times as follows: -

Press once for 1 hour

Press twice for 2 hours

Press three times for 4 hours

Press Four times for 8 hours

An LED will light up against each time that has been selected.

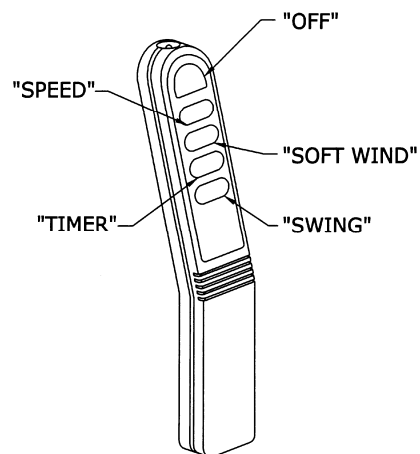
By pressing the timer button once more will cancel the timer function.

### **SWING**

By pressing this button the fan will start to oscillate.

Pressing this button once more will stop the fan oscillating.

The fan speed, swing and OFF buttons can also be selected manually on the fan.



## **CLEANING**

Plastic parts should only be cleaned with mild soap and a damp cloth or sponge. Never use solvent or abrasive cleaners.

## **NOTES FOR SAFE OPERATION**

- ◆ Never insert any objects through the guard when the fan is running.
- ◆ Always disconnect the fan when removing the guard for cleaning.
- ◆ Do not use the fan near an open window. (Rain may create an electrical hazard).
- ◆ Do not leave the remote control unit in direct sunlight (e.g. left on a window seal for long periods).
- ◆ Do not use the fan in areas of high humidity. Or in a area where the temperature is higher than 40.deg C

## **THINGS TO DO IF THE FAN DOES NOT OPERATE BY THE REMOTE**

- 1) The remote control works on having a line of sight to the fan, If there is an obstacle between fan and remote you will not be able to change control functions.
- 2) The remote control has a range of 5 metres, if you are trying to operate the fan from a longer distance it will not work.
- 3) Check that the batteries in the remote control are not flat, or that they are in the wrong way round. (This can be done by sliding off the cover on the rear of the controller)

PO BOX 1285, CRAWLEY RH10 0LY

EU Authorised Representative: Anda Products Bedrijvenweg 17 7442 CX Nijverdal Nederland authorisedrep@andaproducts.nl