

MANROSE®

MET

In-Line Centrifugal Fan Range

Installation and Wiring Instructions

Models:-

**MET100
MET125
MET150
MET200
MET250
MET315**



**PLEASE READ INSTRUCTIONS IN CONJUNCTION WITH THE ILLUSTRATIONS.
PLEASE SAVE THESE INSTRUCTIONS**

CE



**Installation and Wiring Instructions for the
MET IN-LINE CENTRIFUGAL DUCT FAN range.**
IMPORTANT: READ THESE INSTRUCTIONS
BEFORE COMMENCING THE INSTALLATION

DO NOT install this product in areas where the following may be present or occur:

- Excessive oil or a grease laden atmosphere.
- Corrosive or flammable gases, liquids or vapours.
- Ambient temperatures higher than 40°C or less than -5°C.
- Possible obstructions which would hinder the access or removal of the Fan.
- Sudden ductwork bends or transformations close to the Fan.

SAFETY AND GUIDANCE NOTES

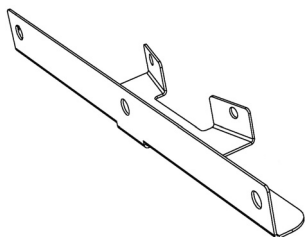
- A.** All wiring to be in accordance with the current I.E.E. Regulations, or the appropriate standards of your country and **MUST** be installed by a suitably qualified person.
- B.** The Fan should be provided with a local double pole isolator switch having a contact separation of at least 3mm.
- C.** Ensure that the mains supply (Voltage, Frequency, and Phase) complies with the rating label.
- D.** The Fan should only be used in conjunction with the appropriate Manrose products.
- E.** It is recommended that the connection to the fan connector terminals is made with flexible cable.
- F.** When the Fan is used to remove air from a room containing a fuel-burning appliance, precautions must be taken to avoid back-flow of gases into the room from the open flue of gas or other appliance. Ensure that the air replacement is adequate for both the fan and the fuel-burning appliance.
- G.** The Fan should not be used where it is liable to be subject to direct water spray for prolonged periods of time.
- H.** Where ducted Fans are used to handle moisture-laden air, a condensation trap should be fitted. Horizontal ducts should be arranged to slope slightly downwards away from the Fan.
- I.** This appliance is not intended for use by persons (including children) with reduced physical, sensory or mental capabilities, or lack of experience and knowledge, unless they have been given supervision or instruction concerning use of the appliance by a person responsible for their safety.
- J.** Young children should be supervised to ensure that they do not play with the appliance.
- K.** Note:- This is a class 1 appliance and **MUST** be earthed.

A. INSTALLATION.

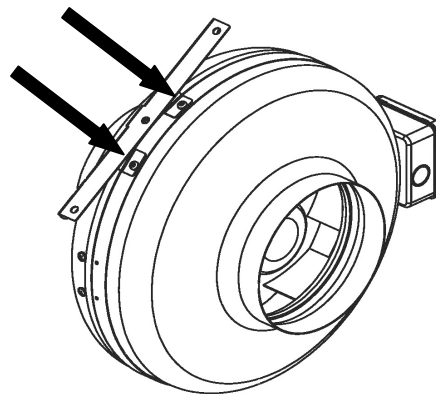
The unit is designed as an in-line duct fan to be positioned between lengths of ducting. Short duct runs terminating close to the fan (i.e. within 1.5m) must incorporate suitable guards unless the fan is mounted higher than 2.1m above the floor. If flexible ducting is used it should be fully extended to obtain the best results. Position the fan at the highest point on the system with both ducting runs sloping downwards from this point. In circumstances where an excessive amount of moisture is present in the air then a condensation trap should be installed. When siting the appliance ensure that there is sufficient space to allow access for any servicing and maintenance.

Attaching the mounting foot

Fan mounting foot



Screw foot to fan as shown
Using the self drilling /
tapping screws provided. (A
pilot hole maybe required).



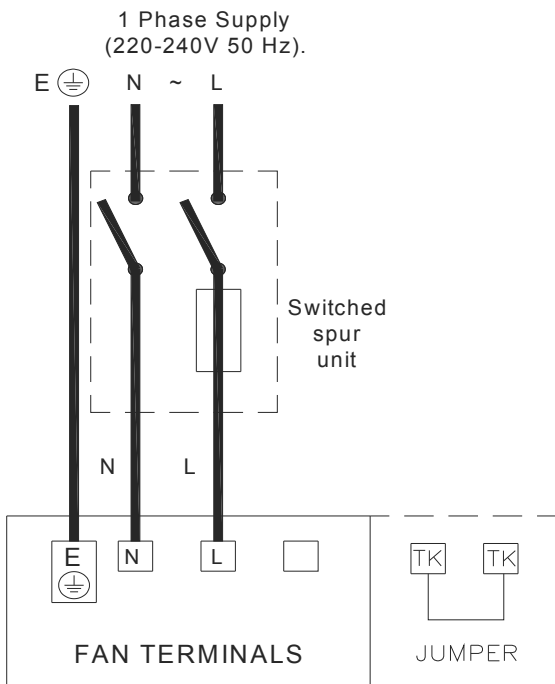
B. WIRING.



WARNING: THE FAN AND ANCILLARY CONTROL EQUIPMENT MUST BE ISOLATED FROM THE POWER SUPPLY DURING THE INSTALLATION / OR MAINTENANCE.

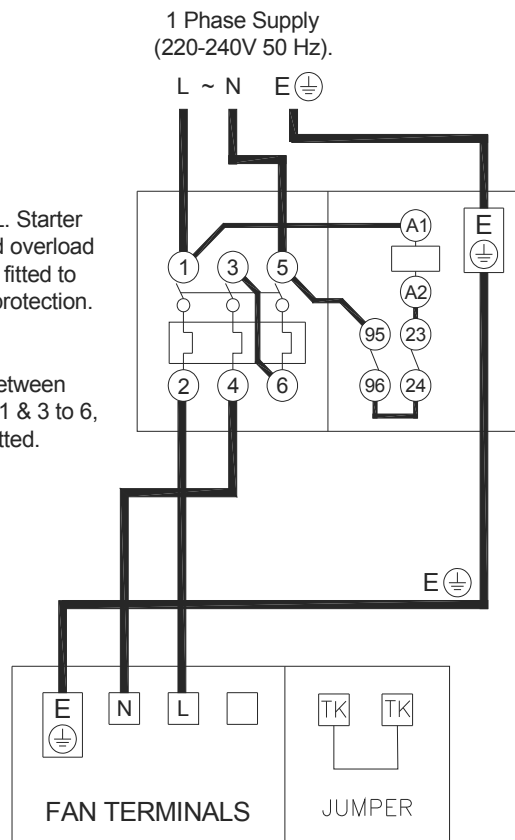
THE MET FANS ARE CLASS 1 AND MUST BE EARTHED.

1. Remove terminal box cover & put to one side.
2. Select and follow the wiring diagrams.
3. Check all connections have been made correctly and ensure all terminal connections and cable clamps/glands are securely fastened.
4. The cable entry must be made using the knockouts provided.
5. Replace terminal box cover.
6. Ensure the impeller rotates and is free from obstructions



230 Volt D.O.L. Starter
A suitable sized overload
relay must be fitted to
provide motor protection.

N.B. Links between
terminals 1 to A1 & 3 to 6,
must be fitted.



CAUTION: In order to avoid a hazard due to inadvertent resetting of the thermal cut-out, this appliance must not be supplied through an external switching device, such as a timer, or connected to a circuit that is regularly switched on and off by the utility.

C. OVER-HEATING PROTECTION.

The fan motor is fitted with Thermal Overload Protection. This will automatically switch the fan off in the event of a fault condition. If this occurs isolate the fan, check for and remove any obstruction, leave for a short time for the motor to cool before reconnecting. If this recurs, Isolate and call your service engineer.

D. SERVICING AND MAINTENANCE.



WARNING: THE FAN AND ANCILLARY CONTROL EQUIPMENT MUST BE ISOLATED FROM THE POWER SUPPLY DURING MAINTENANCE.

1. At intervals appropriate to the installation, the fan should be inspected and cleaned to ensure there is no build up of dirt or other deposits.

The MET fans have sealed for life bearings, which do not require lubrication.

MANROSE®

Manrose Manufacturing Limited

1 Albion close, Slough, Berkshire SL2 5DT

United Kingdom

Email: sales@manrose.com

www.manrose.co.uk

476822A

0717