

# Professional Showerlite Fan Range

## Domestic Range

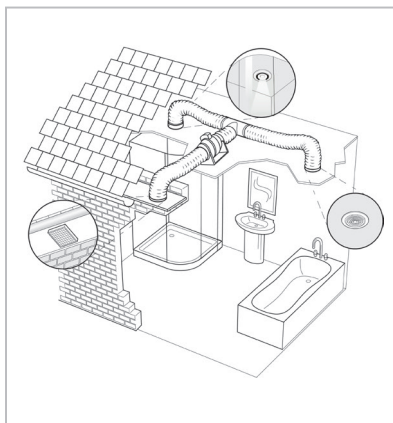
PROFSLKLED



The complete Professional Showerlite fan kit is now quieter and more powerful than ever before. It includes everything you require to provide an effective and powerful way to extend the ventilation in your bathroom or any other area in your house. The first in-shower ventilation kit incorporates seven different pieces of ventilation equipment within one kit.

The LED kits include:

- 1 A powerful high performance In-line mixed flow fan. This is capable of extracting  $245\text{m}^3/\text{hr}$   $68\text{l/s}$ , which exceeds the Building regulations. A bracket is also included for easy fan installation in the roof.
- 2 An attractive powerful 100mm/4" Showerlite with a chrome finish and a sealed unit for total IP waterproof protection. It provides a rich warm glow of soft light to enhance any bathroom.



- 3 One additional inlet; this is a circular internal white grille which has a unique design, and will fit unobtrusively into any room.
- 4 10 metres of 100mm/4" flexible PVC ducting. This long length enables you to adapt the installation in any size room.
- 5 An external wall grille; the in-line fan extracts through the egg crate wall grille, which fits into the external soffit.
- 6 A PVC T-Piece connector which connects the PVC ducting to the in-line fan, internal grille and Showerlite.
- 7 A safety extra low voltage (SELV) transformer, to power the 12 volt showerlite. The complete kit for your total ventilation.



## Technical Details

**Cat. No. Product type**  
**PROCFSLKCLED LED Standard Kit** The Professional Showerlite kit with 3W LED is supplied complete with:  
 1. 1 x In-line MixFlo fan with mounting bracket  
 2. Showerlite unit with chrome fitting  
 3. 1 x Circular Internal White Grille  
 4. 10 metres of 100mm/4" PVC Flexible Ducting  
 5. 1 x Egg Crate External Wall Grille  
 6. 1 x PVC T-Piece Connector  
 7. 1 x Low Volt Transformer

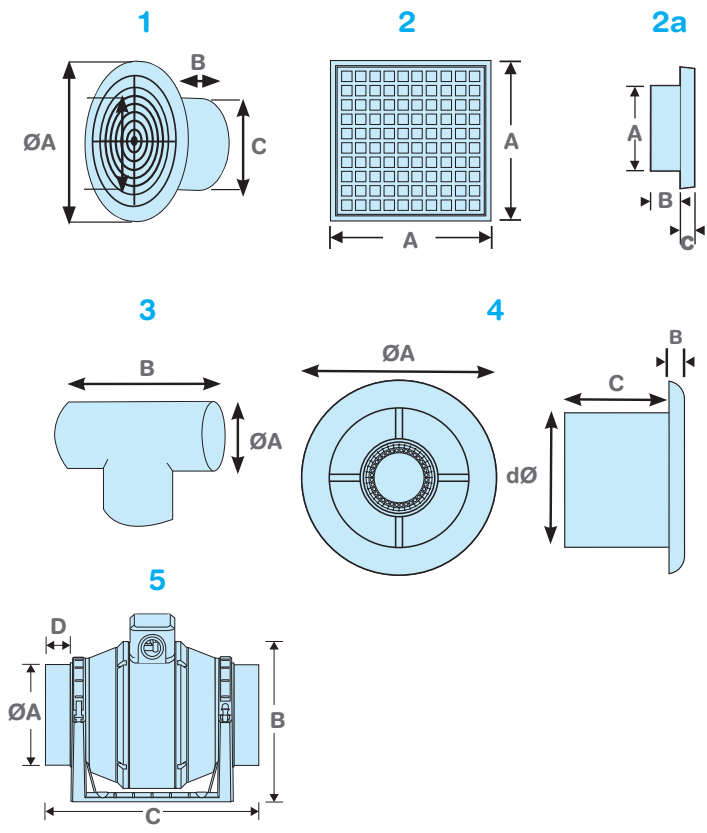
**PROCFSLKCLED LED Timer Kit** As above with built in timer

**IWLEDSL-C/D Showerlite only** 100mm Showerlite with 3W LED ice white lamp - Chrome

**LEDSL-C/D Showerlite only** 100mm Showerlite with 3W LED warm lamp - Chrome

### Dimensions

PRODUCT	A	B	C	D
1	Ø135mm	74mm	120mm	
2	140mm			
2a	Ø98mm	33mm	15mm	
3	Ø98mm	250mm		
4	Ø140mm	10mm	62mm	Ø98mm
5	102mm	195mm	298mm	30mm



### Packaging

Boxed in outers of one. Please contact our technical department for further details.

### Electrical

**LED Models**  
 12 volt DC 3W MR16 lamp. Powered by an LED Driver. Input, AC. Output - 12 volt DC. 1A

### In-Line MixFlo Fan

220-240V- AC. 50Hz  Single phase consuming 25 Watts. These fans are double insulated and do not require an earth. All wiring must comply with current IEE regulations. A double pole isolating switch, having contact separation of at least 3mm in all poles, must be used with a 3 amp fuse fitted.

### Transformer

Input 100-240VAC, Output 12VDC 500mA LED Power 3-5W

### Installation

**Showerlite Unit**  
 Designed to fit through a 125mm diameter hole to fit 100mm PVC ducting.

### In-Line MixFlo Fan

Induct Fans suitable for in-line systems and designed for use with suspended ceiling systems.

### Construction

**Showerlite Unit**  
 All plastic components are moulded in high temperature VO rated thermoplastics.

### In-Line MixFlo Fan

Strong impact black plastic casing.

### Motor

**In-Line MixFlo Fan**  
 Single phase induction motor with ball bearings fitted for a long, maintenance-free life and protected by a thermo cut-out approved totally enclosed for protection against dirt and dust. Motors are continually rated.

### Additional Data

**In-Line MixFlo Fan**  
 Performance: 245m<sup>3</sup>/h 68l/s  
 Fan speed: 2200 rpm  
 Max Operating Temperature: 50°C  
 Sound Level: 22.0 dB(A)  
 Weight: 2kg

VENTILATES POWERFULLY & ILLUMINATES SAFELY