

Showerlite Range

Domestic Range

SL/SLK 100MM 120MM & 150MM



- The Manrose Showerlite is a distinctive Showerlite which is incorporated into a circular diffuser, suitable for showers and bathrooms. Now available in 100mm (4"), 120mm (5") and 150mm (6") versions.
- The Showerlite can be used within the splash area of the shower or bath and is powered by a SELV remote safety isolating transformer.
- The Showerlite is suitable for any 100mm (4"), 120mm (5") and 150mm (6") in-line system such as the Manrose SF/ID range of in-line axial fans or the CFD range of in-line centrifugal fans.
- Available in two colours white, and chrome, the Manrose Showerlite will enhance any shower or bathroom providing a rich warm glow of soft light.
- The Showerlite is available as a kit, supplied complete with fan (available with or without timer), Showerlite unit, transformer, one length of PVC flexible ducting, external wall grille, fixing screws, plugs and straps.
- A centrifugal in-line fan kit is also available for longer ducting runs.



Technical Details

Cat. No. Product type

Boxed Cartons

SL-W	Showerlite white fitting
SL-C	Showerlite chrome fitting
T1250W	Transformer

Showerlite In-Line Axial Extractor Kits

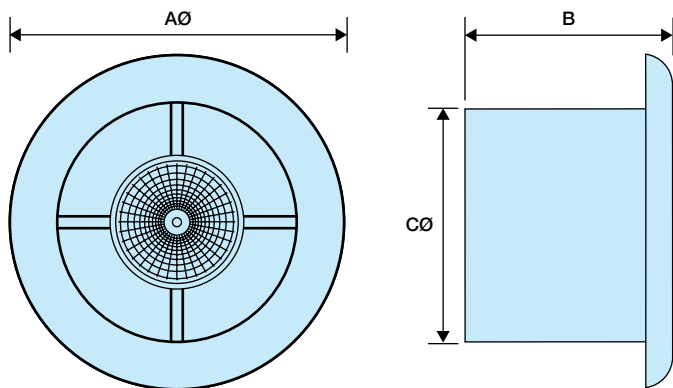
SLKSC	Showerlite fan kit, standard model chrome and white fitting
SLKTC	Showerlite fan kit, timer model chrome and white fitting
SL-120TC	Showerlite fan kit, timer model chrome and white fitting
SL-150SC	Showerlite fan kit, standard model chrome and white fitting
SL-150TC	Showerlite fan kit, timer model chrome and white fitting

Showerlite Centrifugal Kits

SLCFDTC	Showerlite centrifugal fan kit, timer model chrome and white fitting
---------	--

Dimensions (mm)

PRODUCT	AØ	B	CØ
SL-W/C	140	74	98
SL120	170	74	118
SL150	200	74	148



Packaging

Boxed in outers of 5. For packaging dimensions, contact our technical department.

Installation

Designed to be ceiling mounted through 112mm (4") diameter flexible ducting or rigid pipes.

Electrical

12 volt 20W dichroic 5.3 sealed lamp. Powered by a transformer T1250W. Input, AC. Output, 12 volt AC. 50 VA.

Construction

All plastic components are moulded in high temperature VO rated thermoplastics.

Fan Information

Fan Size: 4" (100mm)

Maximum pressure: 20 p.a.

Fan speed: 2400 r.p.m.

Sound volume: 41 dB(A)

Maximum operating temperature: 40°C

Maximum airflow: 24 l/s

Power consumption: 10.4W

Typical Installation

